

# CASA<sup>®</sup> W3 Smart



Installation, commissioning and maintenance instruction

**Swegon**

# Contents

## Installation, operation and maintenance instructions for design engineers, installation engineers and service personnel

<b>Important information .....</b>	<b>3</b>	<b>4. Service.....</b>	<b>18</b>
<b>1. General Description .....</b>	<b>4</b>	4.1 Service reminder .....	18
1.1 Enclosure .....	4	4.2 Opening the ventilation unit .....	18
1.2 Fans .....	4	4.3 Filter .....	18
1.3 Filter .....	4	4.4 Heat exchanger.....	18
1.4 Heat exchanger.....	4	4.5 Fans.....	18
1.5 Temperature .....	4	4.6 Other servicing.....	18
1.6 Protective functions .....	5	<b>5. Alarms and Troubleshooting.....</b>	<b>20</b>
<b>2. Installation.....</b>	<b>6</b>	5.1 Alarm, cooker hood .....	20
2.1 Ventilation unit installation site .....	6	5.2 Alarm, control panel .....	20
2.1.1 Wall mounting .....	6	5.3 Troubleshooting .....	20
2.1.2 Ceiling mounting .....	6	<b>6. List of components .....</b>	<b>22</b>
2.2 Condensate discharge.....	7	<b>7. Technical data.....</b>	<b>23</b>
2.3 Ducts .....	8	7.1 Fan outputs (EN 13141-4).....	23
2.4 Sealing around duct penetration collars .....	8	7.1.1 W3 .....	23
2.5 Electric and control cables.....	9	7.1.2 W3 Econo .....	23
2.6 Bypass for kitchen.....	9	7.2 Outputs of the components.....	24
2.7 Installation of the Smart control panel.....	10	7.3 Acoustic data.....	24
2.8 Connecting water pipes in the Econo model .....	10	7.4 Econo, pressure loss in water-heated air heaters.....	26
<b>3. Commissioning.....</b>	<b>11</b>	7.5 Econo, sizing of the water-heated air heater .....	26
3.1 Air flows .....	11	7.6 Electrical wiring diagram .....	27
3.1.1 Setting the basic air flows .....	11	7.6.1 W3 .....	27
3.1.2 Travelling .....	11	7.6.2 Control functions with accessories .....	28
3.1.3 Maximum automatic boost .....	11	7.7 Control diagram .....	30
3.2 Commissioning external equipment .....	11	7.7.1 W3 .....	30
3.2.1 Digital switch input (DI).....	12	7.7.2 W3 Econo .....	31
3.2.2 Control inputs (AI) .....	12	7.8 Dimensions .....	32
3.2.3 Relay outputs (DO).....	12	7.9 Weights .....	32
3.2.4 Control outputs (SEC/SEM – AO4).....	12	7.10 Ventilation unit codes .....	33
3.3 Smart functions .....	13	7.11 Accessories for installation .....	33
3.3.1 Shortcuts .....	13	<b>8. Commissioning form.....</b>	<b>34</b>
3.3.2 Summer mode .....	13	<b>Warranty Conditions .....</b>	<b>35</b>
3.3.3 Cooker hood function.....	13	<b>EC Declaration of Conformity .....</b>	<b>36</b>
3.3.4 Central vacuum function.....	14		
3.3.5 Fireplace function .....	14		
3.3.6 Automatic Home/Away/Boost system .....	14		
3.3.7 Automatic humidity system.....	14		
3.3.8 Automatic air quality control.....	15		
3.3.9 Temperature boost.....	15		
3.4 Heating/cooling .....	16		
3.5 Anti-frost protection .....	16		
3.6 Restoring factory settings.....	16		
3.7 Changing the service code .....	16		
3.8 Use .....	16		



## Important information

This document is intended for everyone involved in the installation work for or the use of a Swegon CASA ventilation unit. Read this Instructions for Use before you use the ventilation unit. Save the Instructions for Use for future use. If you mislay the Instruction for Use, you can download a new copy from our website.

The ventilation unit is not designed to be used by children (below 8 years old) or by persons whose senses, physical or mental capacity or a lack of knowledge and experience limits safe use of the ventilation unit. Such persons may use the ventilation unit if supervised by a person who is responsible for their safety, or according to the instructions.

### Qualified personnel only

Only qualified personnel should carry out installation, configuration and commissioning.

### Standards and requirements

The pertinent national standards and regulations dealing with installation, configuration and commissioning must be followed if the equipment is to operate correctly.

At the address, [www.swegonhomesolutions.com](http://www.swegonhomesolutions.com) (Toolbox > Find PDF), you will find the document "Project planning instructions for ventilation", in which power supply, sound, air flows and duct system requirements are presented.

### Measurement and electrical work

If you carry out voltage tests, measure the electrical insulation resistance at various points or perform other remedial measures that could damage sensitive electronic equipment, you must first isolate the ventilation unit from the electrical supply grid.

### Surge protection

Swegon recommends that all ventilation units equipped with Smart automatic control be equipped with a surge protection device.

### Earth fault circuit breaker

Swegon recommends that all ventilation units equipped with Smart automatic control be equipped with a residual current device. Comply with local electrical safety regulations when you install electrical equipment.

### To open the ventilation unit for service

Always ensure that the ventilation unit's power supply has been isolated before you open the inspection door! Wait a few minutes before you open the inspection door on the ventilation unit so that the fans have time to stop and air heaters, if fitted, have time to cool down.

Always turn the ventilation unit's service switch to the 0-position before opening the inspection door.

There are no components inside the electrical equipment cabinet that can be serviced by the user. Leave the servicing of these components to service personnel. Do not restart the ventilation unit before you've identified the cause of the fault and service personnel have serviced the ventilation unit.

### Drying laundry

A tumbler dryer of extract air type or a drying cabinet must not be connected to the system due to the high moisture content in the air it discharges. However, we recommend the use of a condensing tumbler dryer without duct connection.

### Models equipped with water-heated air heater

When there is a water-heated air heater in the ventilation system (Econo model ventilation unit or duct mounted air heater) the system should be equipped with shut-off damper so that the air heater cannot freeze during a power failure.

### Commissioning

Do not commission the ventilation unit until all carpentry work that produces large quantities of sanding dust or other impurities has been completed.

The duct connection spigots of the ventilation unit must be covered by lids while the unit is being transported, kept in storage and mounted at its final location.

Make sure that the ventilation unit, filters and ducts are clean and that there are no loose objects in them before you commission the ventilation system.

### Condensation

The surface temperature of the ventilation unit can drop down to 12 °C during periods of low outdoor temperature and depending on the moisture content of the air surrounding the unit, moisture may condense on the surface. Consequently, condensation should be taken into account when choosing furnishings that are to be installed in the vicinity of the ventilation unit.

**NOTE! The manual's original language is Finnish.**

## Included in the delivery:

- Ventilation unit, W3
- Anti-vibration mountings (2 pcs.)
- Instructions for Use (FI, SE, EN + NO, DE)
- Installation, commissioning and maintenance instruction (FI + SE)
- "Remember to change the filter" decal
- Product information sheet

## Standard connections:

- Power supply cable with mains plug
- Modular cable with RJ9 connector (1.5 m)
- Free configurable I/O contacts for connection of accessories (2 pcs.)

# 1. General Description

The most important function of the ventilation system is to ensure clean and fresh indoor air and to remove moisture. The air in the home should be changed at a continuous and sufficient rate to ensure a pleasant indoor climate and avoid damage to building elements caused by dampness. The ventilation unit should be stopped only while service work is in progress.

## 1.1 Enclosure

The ventilation unit conforms to enclosure class IP34 when the cover is closed.

## 1.2 Fans

The Swegon CASA W3 is equipped with energy-efficient fans with EC motors, advantageous in that their speed is variably controllable and their efficiency is high even when they operate in the lower speed range. The power supply and control cables of the fans have quick-fit connectors making the fans easily removable from the unit, if required.

The fans can be controlled in four operating modes from a Smart control panel or in three operating modes from a compatible Swegon CASA cooker hood:

- **Boost** = large air flow is used when the ventilation requirement increases, e.g. for cooking, taking a sauna, showering or drying laundry.
- **Home** = normal air flow. Guarantees that there is sufficient fresh indoor air in the home, and that the building construction is at its best.
- **Away** = low air flow. Reduces power consumption when the ventilation requirement in the home is small.
- **Travelling** = very low air flow and lower supply air temperature. Used when no one is present in the home. (Can only be selected from a Smart control panel.)

The unit's weekly timer has four programs that can switch in the various fan modes at the preset times. On the unit with electric post heating, you can also select the required temperature of the supply air. Even when the ventilation unit is being controlled with the weekly timer, it is always possible to change the fan mode from a control panel or a cooker hood.

You can select an air flow boost time of 30, 60 or 120 minutes or continuous boost from a Smart control panel. When the unit is controlled from a cooker hood, the fan's air flow boost time is 60 minutes. You can select a damper open time of 30, 60 or 120 minutes.

## 1.3 Filter

The ventilation unit houses a G3 filter for the extract air and a F7 fine filter and a heat resistant filter for the supply air.

## 1.4 Heat exchanger

The plate heat exchanger in W3, which is based on the counterflow technology, is made of aluminium fins and its efficiency is high, above 80 %. The incoming and outgoing air flows in a counterflow plate heat exchanger use separate channels, and thanks to this the heat exchanger does not return any odours or moisture back into the room air. The heat exchanger can be easily removed from the unit for inspection and servicing.

## 1.5 Temperature

The user sets the required value for minimum supply air temperature, and the ventilation unit then strives to reach this temperature if possible. Swegon recommends that the supply air temperature is set between 15–20 °C and the factory setting is 17 °C, which is sufficient for draught-free ventilation. The supply air temperature should be 3–4 °C lower than the room temperature, so that the supply air mixes fully with the room air.

Remember the following when setting the supply air temperature:

- A high temperature setting will also increase the ventilation unit's power consumption.
- A low temperature setting, for example, 14 °C, can cause condensation to collect in the system.
- The ventilation unit cannot cool the supply air without an air cooler (duct coil), which is available as an accessory.

**In the Econo models, the setpoint can be set with a thermostat inside the ventilation unit. You can turn the thermostat dial to the minimum setting if heating is not required.**

W3's intelligent summer mode helps to maintain the home's indoor air comfort even during hot summer days. Very economical comfort coolness can be produced almost free of charge by utilising the heat exchanger and the difference between indoor and outdoor temperatures intelligently. The heat exchanger takes care of the cool indoor air during hot summer

days and cools the incoming outdoor air. At night the air passes the heat exchanger and the home is cooled with outdoor air. This is managed by an advanced automatic system.

## 1.6 Protective functions

### The heat exchanger's freeze protection

W3's defrosting function guarantees continuous and balanced ventilation in the home even during extreme conditions. If there is a risk of the heat exchanger in the ventilation unit freezing, the preheater is activated and the speed of the fans is changed and in doing so the heated extract air prevents freezing inside the heat exchanger.

### The fans' overheating protection

The fans have thermal overload cut-outs, which stop them if the temperature rises too high. The controller also stops the fans if a serious malfunction occurs in the ventilation unit. The protective function resets itself automatically when the temperature drops or the malfunction has been remedied.

### Electric air heater

The electric air heater is equipped with overtemperature protection. If the overtemperature protection trips, you must not continue to use the ventilation unit until the cause of the overtemperature protection tripping has been established and the fault has been rectified.

An automatic overtemperature protection switches off the air heater if a fault situation arises. This protective device automatically resets itself when the air heater has cooled down.

The thermal overload cut out with manual reset can be reset by pressing a button inside the ventilation unit. The acknowledgement buttons are located next to the air heaters. The buttons are marked in the illustrations below. When you press the reset buttons and feel a click, the overtemperature protection (thermal overload cut out) has then been reset.

### Ventilation unit with water-heated air heater

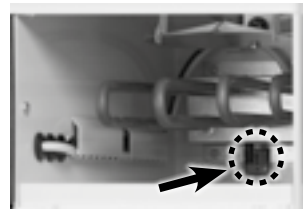
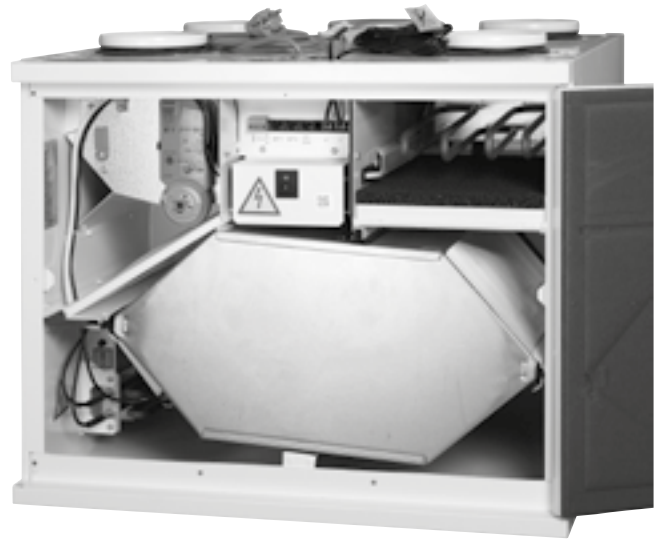
The ventilation unit with water-heated air heater has a temperature sensor that protects the air heater from freezing. The air heater freezing warning alarm appears on the screen if the temperature of the water heated air heater drops too low, but the unit continues to operate normally.

If the air heater's temperature drops further, the controller will stop the ventilation unit to prevent the air heater from freezing. An alarm is then shown on the cooker hood.

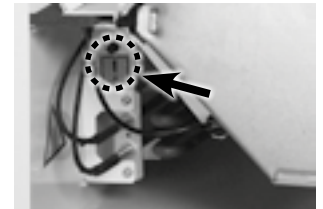
When the temperature of the air heater has risen sufficiently, the ventilation unit and panel show a so-called remaining info-alarm, ⓘ. The Info alarm can be reset from "Alarm" on the main menu.

### Cold supply air

The ventilation unit has built-in condensation protection on the ventilation duct. If it is discovered that the supply air is too cold, the ventilation unit stops and an alarm is shown the cooker hood.



*Reset button for the over-temperature protection on the preheating air heater*



*Reset button for the over-heating protection on the post heating air heater (Only models with electric air heater)*

### Temperature sensors

If a sensor fault is detected, the ventilation unit enters restricted mode to prevent damage to the ventilation unit. The functions related to the current sensor in question are deactivated and the ventilation unit works as well as possible. The ventilation unit's function returns to normal once the fault has been corrected.

## 2. Installation

### 2.1 Ventilation unit installation site

The temperature in the space where the unit will be installed must be more than +10 °C. The ventilation unit can be installed in a machine room, store room, etc. The ventilation unit can be installed in a machine room, storage space, etc.

The ventilation unit should not be secured to a wall that borders to a living room or a bedroom due to the risk of noise.

During installation, arrange electric and control cables to make them easily accessible.

The ventilation unit can be mounted either on the wall in a wall mounting bracket or on the ceiling with a mounting frame. The mounting frame required can be purchased separately as an accessory.

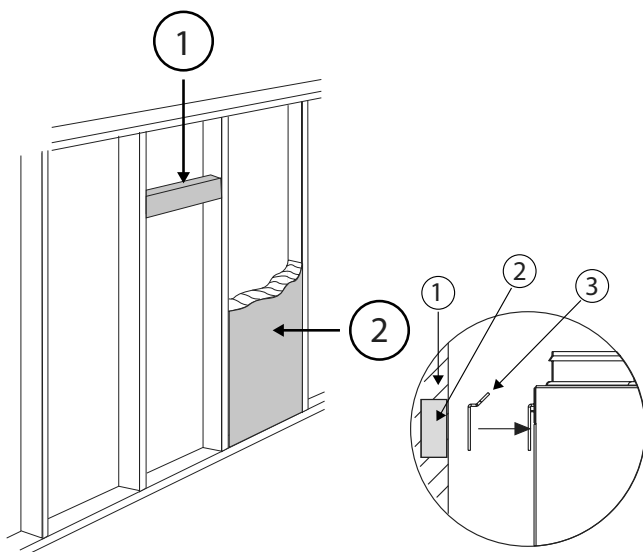
The unit should be mounted as near as possible to a wall or ceiling. The space between the ventilation unit and the wall should be insulated so that the sound from the unit will not be transmitted out through the rear wall.

Connect the extract air from a CASA cooker hood, if installed, via a duct to the extra duct connection spigot on the top side of the ventilation unit, which on delivery is plugged.

#### 2.1.1 Wall mounting

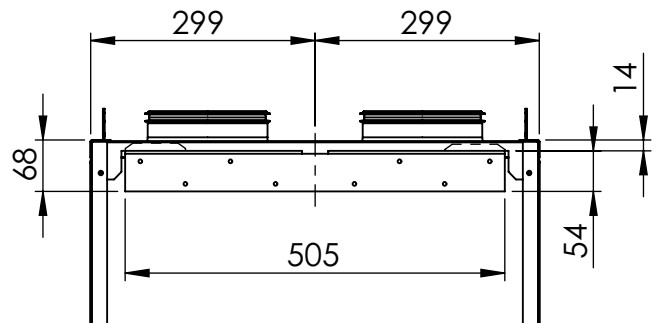
Mount the ventilation unit on a wall by means of a wall mounting bracket which is available as an accessory.

If the wall is composed of vertical studs and wall boards, the wall must be reinforced with horizontal studs that will support the weight of the unit. Swegon also recommends that the wall be insulated with mineral wool or similar insulation for preventing sound from propagating to other rooms.



1. Horizontal stud for the ventilation unit's mounting bracket  
2. Acoustic insulation

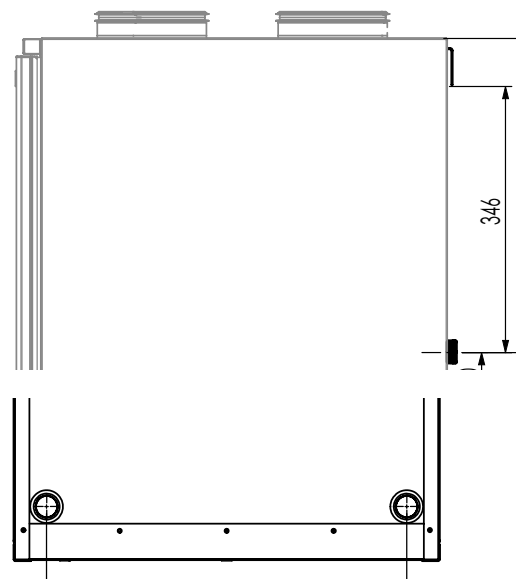
1. Insulated wall  
2. Horizontal stud  
3. Wall mounting bracket



Wall mounting bracket's dimensions

Screw the wall mounting firmly in horizontal position onto the wall where a wall stud will support the weight of the unit.

Screw the adjustment feet in position on the lower edge of the rear wall of the ventilation unit before lifting the unit onto the wall bracket.



Lift up the ventilation unit onto the wall mounting bracket so that the ears on the bracket engage in the corresponding notches at the top on the backside of the unit. The ventilation unit's heat exchanger can be removed to make it easier to lift the unit. See the "Servicing" Section.

Set the final position of the ventilation unit with the help of the adjustable feet so that the ventilation unit tilts backwards slightly.

#### 2.1.2 Ceiling mounting

The ventilation unit can also be mounted in a ceiling mounting frame (available as an accessory) on the ceiling.

Fasten the ceiling mounting frame in ceiling anchor sleeves with four M8 threaded rods. The length of rods must be adjusted so that they will be positioned approx. 15 mm under the inner surface of the ceiling mounting frame. Install at least three threaded rods in the corners of the ceiling mounting frame. To avoid a possible collision with the ducts, one of the threaded rods can be located in the hole next to the corner.

Screw in the M8 nuts onto the threaded rods to such a height that the ceiling mounting frame will be

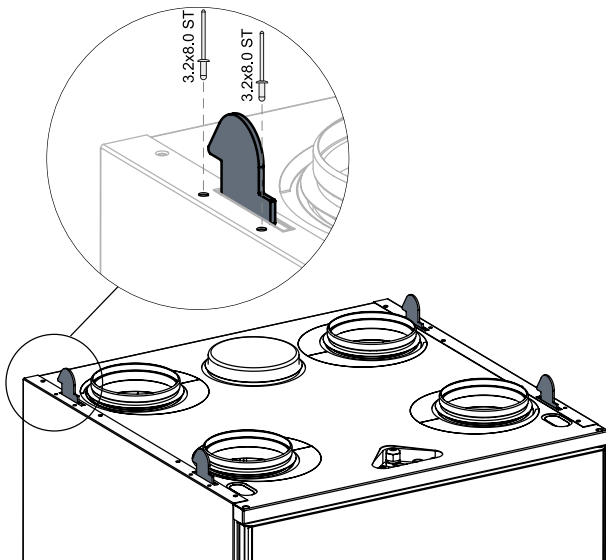
horizontal when the top of the frame goes against the nuts. Fit the ceiling mounting frame through the selected holes towards the nuts of the threaded rods and lock the frame into position with nuts from underneath. Adapt the installation height so that the locking screws in the mounting frame's front section will extend sufficiently far below the ceiling.

**Important**

**If you improperly tighten the ceiling mounting frame, this could turn the frame and the ventilation unit will not have room inside the frame.**

Run the mounting hooks through the assembly openings above the ventilation unit and secure them with tension rivets. Position the hooks so that the sharp point is facing the rear side of the ventilation unit.

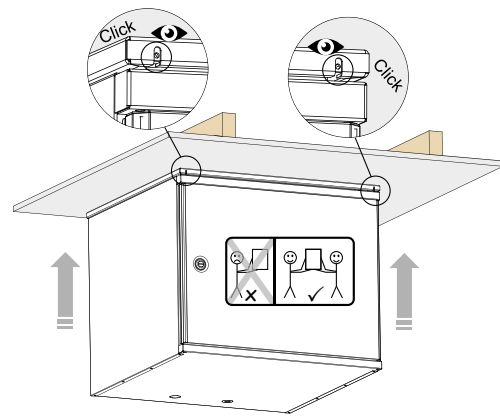
**The hooks must absolutely not be secured with rivets directly above the ventilation unit.**



Run the power supply and data cables, and on the Econo model the water pipes, through the ceiling mounting frame.

Screw the adjustment feet in position on the lower edge of the rear wall of the ventilation unit before lifting the unit onto the frame. The ventilation unit's heat exchanger can be removed to make it easier to lift the unit. See the "Servicing" Section.

Lift the ventilation unit so that the hooks go through the fastening holes in the mounting frame. The ventilation unit is locked in place when the ends of the locking rails are touching the front plate of the mounting frame and can be seen from the openings on the front edge of the frame. (see picture)



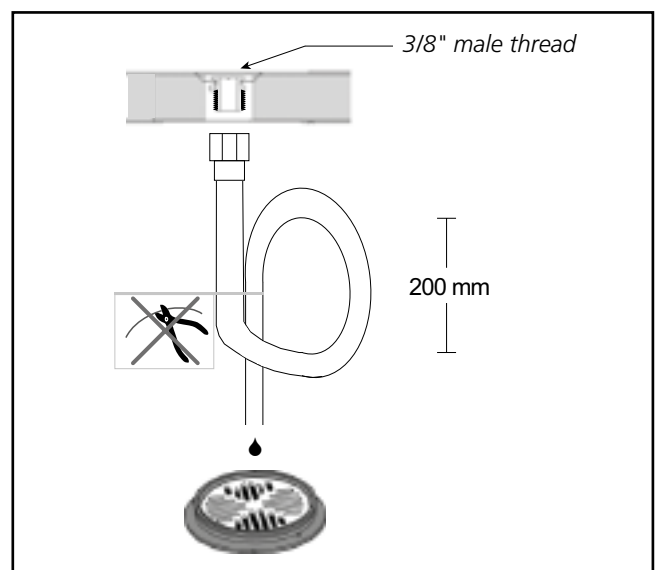
Finally adjust the position of the ventilation unit using the adjustment feet, so that the unit tilts backwards by a few degrees. However, make sure that the ceiling mounting frame isn't rotated too much.

The pipe connections of the Econo model should be arranged inside the ventilation unit. The connection work will be facilitated if you temporarily remove the heat exchanger and filter from the unit. Connect the inlet flow pipes to the thermostat (3/8" female threads) and the return pipe in the coupling with Ø15 mm on the ball valve.

## 2.2 Condensate discharge

Connect the discharge hose to the ventilation unit's condensate discharge connection (3/8" male threads). The condensate is led off to a floor drain or the like using a hose (accessory, CDH3), or a hose or pipe with an inner diameter of at least 12 mm. The hose must not be led off directly to the drain. The tube must not have a second water trap or be run horizontally. The damming height of the water trap should be at least 100 mm.

A hose to lead off the condensate is available as an accessory (CDH3). The hose has a ready-made loop that serves as a water trap.



There is a metal water trap available as an accessory (UVL).

Check that the condensate discharge outlet is not clogged and check its outflow by pouring water on the bottom of the ventilation unit. The condensate

**Detailed installation instructions:**  
[www.swegon.com](http://www.swegon.com)

discharge connection is located on the rear of the unit under the rotary heat exchanger.

**Important**

**Check whether the ventilation unit has been supplied in the right-hand or left-hand version to make certain that you are connecting the ventilation ducts to the correct duct connection spigots on the unit. Check the ventilation plans to make sure that the duct connections are correctly installed. See also the dimensional drawings in the Section entitled: "Technical data".**

### 2.3 Ducts

Install the ventilation ducts, sound attenuators, supply air diffusers, air intake grilles and exhaust air ducts as shown in the ventilation drawings. To prevent the propagation of sound, do not install the ducts directly against structural building elements.

Insulate the ventilation ducts in order to reduce loss of heat or cooling energy and to prevent water from condensing on surfaces. In addition, it is advisable to insulate the ducts to prevent the spread of fire. **It is of greatest importance to insulate cold ducts without gaps in the insulation, so that moisture cannot condense.**

### 2.4 Sealing around duct penetration collars

It is advisable to use a mounting frame for sealing the vapour barrier in the attic tie beams.

It is important to preserve the tightness of the vapour barrier at the duct penetration collars. A building element penetration seal (accessory) will facilitate this. This item is available in sets of 3 pieces, for diameters: 100, 125 and 160 mm, and are attached to the vapour barrier with tape.

Cut up the openings with approx. 10 mm smaller diameter than that of the ducts. Secure the mounting frame in the ceiling with screws through the holes on the sides. The plastic film of the vapour barrier should either be stretched and fastened between the mounting frame and the structural element of the building, or be taped tightly against the mounting frame.

The thickness of the insulation and the nature of the surface layer of the ventilation ducts vary depending on insulation material, climate zone and national standards in force. For this reason, Swegon does not offer any recommendations. Most manufacturers of insulation material offer calculation programs for the calculation of sufficient and correct insulation.

In renovation projects, it is advisable to examine the existing ducts to determine whether they are sufficiently and correctly insulated. Insulating in the right way is

necessary for the ventilation unit to operate correctly. **If the ducts are uninsulated, even across a small area, there is a high degree of risk of condensation and indirect damage.**

The supply air duct should be fitted with acoustic insulation along the stretch between the unit duct outlet and the sound attenuator, so that fan sound will not be propagated out into the room.

In general, ventilation ducts should be insulated in the following manner:

- Insulate outdoor air ducts run through warm spaces.
- Exhaust air ducts should always be insulated in accordance with national regulations. See separate project planning instructions (for example Fire resistance classification requirements).
- Insulate supply air ducts in cold spaces.
- Insulate extract air ducts in cold spaces.
- If the air inside the duct is colder than in the surroundings; the insulation should be protected by a vapour barrier.

**Important**

**Even small gaps in the insulation impair the sound attenuation and bring about a risk of condensation and consequential damages.**

**Important**

**Before commissioning the ventilation system, check that the ventilation unit, filters, condensation drain and ducts are clean and that there are no loose objects inside them. The ventilation ducts should be cleaned regularly and always when the home is renovated.**

**Important**

**It is absolutely forbidden to operate the ventilation system during the construction period or if dust-raising work is carried out. Before installing the unit, the ducts should be blanked off with covers to prevent the entry of impurities.**

## 2.5 Electric and control cables

A 1.5 m long cable with earthed plug-in contact is fitted to the ventilation unit for measuring the voltage. The cable extends from the top of the unit. The mains plug serves as the ventilation unit's main switch and it should be connected to an electric socket at an easily accessible spot. For power required, see the Section entitled: "Technical data".

There is an earthing point on the top surface of the ventilation unit body.

On top of the ventilation unit are two modular cables for control of the unit. The maximum connected length of the modular cable in the system is 40 metres. If the modular cable is lengthened within some building element (such as in a wall), the cable should be lengthened in a  $\varnothing$  20 mm dia. conduit, anticipating a possible later change of cabling.

When installing the unit, make sure that you provide adequate access to the connector of each cable (loose ones as well), e.g. for servicing and adjusting the unit, if and when the need arises.

In apartment buildings, a control panel can be used as a so-called hand-held terminal in conjunction with service and installation work.

Any accessories are either connected to the ventilation unit's four-way connector (2 optional functions) or to the external connection modules (3 optional functions). Cables are routed via the lead-through openings in the top of the ventilation unit. The connection of any accessories is described in the section "External connections". Cables to connection modules and accessories are not included in the supply.

## 2.6 Bypass for kitchen

The cooker hood is usually connected to the ordinary extract air duct. However the cooker hood can be connected to the ventilation unit's separate extract air connection, in order to meet national regulations or for achieving a more effective than normal extract air flow.

The extract air from a compatible Swegon CASA cooker hood can be conveyed via a duct to an extra duct connection on the top of the ventilation unit. The duct between the cooker hood and the ventilation unit must be installed in such a way that makes it possible to clean it.

The ventilation unit can be controlled from the cooker hood control panel.



### Important



**The bypass for a kitchen is intended for use when the air flows from the cooker hood/ kitchen are boosted. The kitchen's general ventilation must take place via the extract air duct. If the general ventilation takes place continuously via the cooker hood, the supply air and extract air flows through the heat exchanger will be out of balance, and this will lower the efficiency and impair the ventilation unit's anti-freeze protection functions during the winter.**



### Important



**If any further electrical wiring is required, only a qualified electrician shall be allowed to carry out this work. The electric and control cables are located on the upper side of the ventilation unit. Make sure that the electric cable can be connected to a wall outlet without obstruction.**

## 2.7 Installation of the Smart control panel

A maximum of two Smart control panels can be connected to the ventilation unit, with different mutual ID numbers. A 20 metre long modular cable is included to connect the control panel. Run the cable to the desired place where the panel will be mounted. A Smart control panel can be mounted up to 40 metres from the unit (using 2 x 20 metre long modular cables).

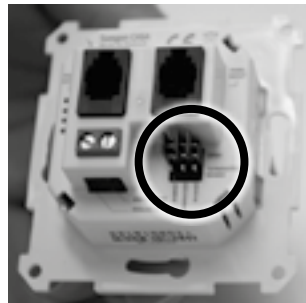
The front panel on the Smart control panel is released using a screwdriver to push the retaining clips through the holes on either side.



If several control panels are connected in chain, the middle panel's bus termination is moved to the "Open" position. The jumpers do not need to be adjusted if only one control panel is used.



*Bus termination: terminated*



*Bus termination: open*

The modular cable connected to any outlet socket on the panel.



Finally, refit the front panel.

## 2.8 Connecting water pipes in the Econo model

The pipe connections of the Econo model should be arranged inside the ventilation unit. The connection work will be facilitated if you temporarily remove the heat exchanger and filter from the unit. Connect the inlet flow pipes to the thermostat (3/8" female threads) and the return pipe in the coupling with Ø 15 mm on the ball valve.

**The Econo model requires a continuous circulation of hot water during the heating season. The Econo model ventilation unit should be equipped with shut-off damper so that the water-heated air heater cannot freeze during a power failure.**

### 3. Commissioning

**Important**

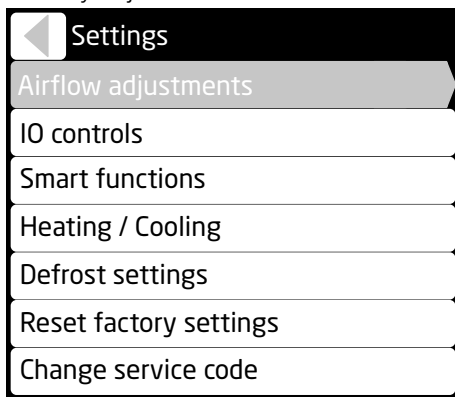
The functions described in this instruction apply to the ventilation unit and control panels with software version 1.12 and later. In older control panels they only apply to basic functions.

**Important**

Set the air flows in accordance with national regulations when you commission the ventilation system. The system should be commissioned by a qualified person, and the air flows must not be changed on one's own responsibility, since doing so could disrupt the way the ventilation system operates.

The ventilation system's settings in connection with commissioning and servicing are made from the password-protected "Settings" menu on a Smart control panel. To open the menu, enter code 1234. (The code can be changed). In conjunction with commissioning, you always need to set at least the air flow and carry out any adjustments to the Smart sensor if fitted.

Choose commissioning mode when the ventilation unit's fans run at the speed being set and functions that can disrupt the setting, such as anti-freeze protection, are disabled.



Airflow adjustments	
Commissioning mode	<input checked="" type="checkbox"/>
Control type	Fan control
Home (supply)	48%
Home (exhaust)	50%
Away (supply)	35%
Away (exhaust)	38%
Boost (supply)	90%
Boost (exhaust)	92%
Travelling (supply)	35%
Max Smart boost (supply)	82%

#### 3.1 Air flows

Sizing curves for air flows are set out in the section "Technical data". A qualified person should set the ventilation unit's and the ventilation equipment's air flows with the help of measurement equipment so that they correspond with the ventilation plan.

Adjust the control functions for the operating modes **Home**, **Away** and **Boost** so that the air flow rates according to the ventilation plan are reached.

**All basic air flows must be set so that the ventilation unit operates correctly!** Enter the settings in the commissioning protocol.

Fill in your entered settings in the commissioning report.

In new homes, there is still construction moisture and the house initially requires higher ventilation in order to remove the moisture from the building. A great deal of moisture in the home manifest itself in the form of moisture on cold surfaces. We recommend that in new houses to use higher volumes of air at first to remove moisture.

#### 3.1.2 Travelling

You can reduce ventilation unit's power consumption by using the "Travelling" function, when the home is empty for long periods, among others by reducing the ventilation. Set the supply air flow to "Travelling" mode. The extract air flow is determined automatically based on the basic air flows.

It is recommended in order to improve the efficiency of the ventilation to use an automatic moisture sensor or to actively use the ventilation unit's boost speed, if there is a sauna, pool or equivalent moisture producer in the home.

#### 3.1.3 Maximum automatic boost

Automatic functions boost the ventilation as required all the way up to the maximum automatic boost. The functions can be limited by reducing the value.

#### 3.1.1 Setting the basic air flows

Before you start to adjust the air flows, ensure that the filters are clean and that there are no foreign objects or debris inside the ventilation unit.

### 3.2 Commissioning external equipment

External equipment can be connected to the ventilation unit's configurable I/O connections (connection instructions can be found in the section "Technical data"). You can connect two optional inputs to the ventilation unit's circuit board and to the SEC/SEM expansion modules, which are available as accessories, you can connect three. The connection of an external duct mounted air

heater is performed to the SET expansion module, according to the instruction supplied with the accessory.

When you connect external equipment to the ventilation unit, the function of I/O connections must be defined in the menu "Setting/I/O-control" (the standard option is shown in the figure).

IO controls	
IO 1	Fireplace - DI
IO 2	Boost - DI
IO 3 (ext.)	Away - DI
IO 4 (ext.)	Emg.Stop_NO - DI
IO 5 (ext.)	DDC control - AI

### 3.2.1 Digital switch input (DI)

Switch input options are:

1. Emg. Stop NC
2. Emg. Stop NO
3. Stop
4. Fireplace
5. Cooker hood
6. Central vacuum
7. Forced boost
8. Away
9. Boost
10. Modbus (not priority)
11. Relay control (not priority)

The priority of the selected inputs is determined according to the previous list, so that a function that is higher on the list has a higher priority than those below.

### 3.2.2 Control inputs (AI)

12. By selecting DDC - AI, the ventilation unit's operating mode can be controlled by a voltage signal.

Operating mode control 0–10 VDC (+/- 0.5 V)

- 0 V = Not DDC control
- 1 V = Travelling
- 2 V = Away
- 5 V = Home
- 8 V = Boost
- 10 V = Stopped

13. Variable control occurs between the voltages 2 V – 5 V – 8 V. The ventilation then switches variably between operating modes Away - Home - Boost. Otherwise, control is performed according to the normal DDC control.

14. Modbus AI\*
15. PA supply air\*
16. PA extract air
17. I/s (supply air)\*
18. I/s (extract air)\*

19. RH AI\*
20. CO<sub>2</sub> AI\*
21. VOC AI\*

\*) See the instruction supplied with the optional equipment.

### 3.2.3 Relay outputs (DO)

The IO connections can be used for relay control (24 VDC). See the connection instructions in the section "Technical data".

As relay outputs you can select:

22. Alarms
23. Duct damper
24. Away
25. Boost
26. Modbus\*
27. DI control The position of the output is controlled by relay control DI.

Important

**The control card can be damaged if you short-circuit the I/O-connection selected by the relay output.**

### 3.2.4 Control outputs (SEC/SEM – AO4)

The ventilation unit's operating mode can be read as a voltage signal on the AO4 output. If the ventilation unit is controlled variably with Smart functions, the actual value is regulated between the voltages 2 – 5 – 8 V.

Actual value for the fan speed 0-10 VDC

- 0 V = Not DDC control
- 1 V = Travelling
- 2 V = Away
- 5 V = Home
- 8 V = Boost
- 10 V = Stopped

### 3.3 Smart functions

The Smart functions can be activated from the control panel or via external inputs, or they can act as so-called background functions as required. These functions are set as needed from the "Smart functions" menu.

On W3 ventilation unit models W03VR05SL00A and W03VL05SL00A, the fireplace function, cooker hood function and the central vacuum function are not available.

Smart functions	
Smart functions	
Summer mode	
Cooker hood function	
Central vacuum function	
Fireplace function	
Auto Home/Away/Boost	
Auto RH control	
Auto Air Quality control	
Temperature boost	

#### 3.3.1 Shortcuts

From the "Shortcuts" menu you can set which functions are to be visible to the user. When boost is selected, boosting is used on all connected sensors.

Smart functions	
Fireplace function	<input checked="" type="checkbox"/>
Travelling	<input checked="" type="checkbox"/>
Central vacuum function	<input checked="" type="checkbox"/>
Boost	<input checked="" type="checkbox"/>
Summer mode	<input checked="" type="checkbox"/>
Temperature boost	<input type="checkbox"/>
Shut down	<input checked="" type="checkbox"/>

#### 3.3.2 Summer mode

Summer mode bypasses the ventilation unit's heat exchanger when it needs to cool and the outdoor air is colder than the room air. You then get cool outdoor air in the room.

The heat exchanger takes care of the cool indoor air during hot summer days. The capacity in summer mode can be selected from a quick menu, and the ventilation unit will then automatically determine the cooling.

If you wish to set the function's settings in more detail, you select "User" mode on the settings menu.

Summer mode	
Mode	User
Fresh air limit	5°C
Fresh air start limit	14°C
Room temperature start limit	Off
Supply air temperature min.	14°C
AC boost	User
Room temperature boost limit	22°C
Hood boost	<input type="checkbox"/>
Use in away mode	<input type="checkbox"/>

*Outdoor air limit* determines at which outdoor air temperature the function is permitted. *Outdoor air start limit* determines the need of cooling.

If you select "Room air temperature limit", the need of cooling is determined by the room air's temperature exceeding the *Room temperature start limit*. The supply air limit determines the supply air's minimum temperature. If you change the value, you must take the risk of condensation on the pipes into consideration.

By changing the value *Boost limit value room temp.* during AC boost you can determine at which room temperature the ventilation shall start to variably boost.

Selecting *Hood boost* allows you to operate the damper on a compatible cooker hood to the open position to boost cooling.

Selecting *In use in Away mode* allows you to determine whether ventilation boosting will be permitted in Away mode.

#### 3.3.3 Cooker hood function

The cooker hood function balances the ventilation when the cooker fan is used to help prevent excessive negative pressure and improves fume extraction capability of the cooker hood. This function enables you to boost the ventilation if necessary. The function starts automatically when the damper in a Swegon CASA cooker hood is opened or for a cooker hood defined I/O input (IO-control) receives the signal and runs until the damper is closed.

The function is put into service from the *Settings/Smart functions/Cooker hood boost menu*. The settings menu is opened when the function is put into service.

Cooker hood function	
Home state Compensation	20%
Boost state Compensation	0%
Hood boost	85%
Roof fan	<input type="checkbox"/>
In use	<input checked="" type="checkbox"/>
Commissioning mode	<input type="checkbox"/>

Select "Commissioning mode" for air flow settings. This activates the signal to be set and the damper is operated to the open position.

**Compensation (home).** Set the Home mode's compensation value so that the air flows are kept as set out in the ventilation plan.

**Compensation (boost).** Fine tune Boost mode's compensation value if necessary.

**Cooker hood boost.** Adjust the function's boost speed (supply air %), for example, to achieve sufficient discharge velocity or odour extraction.

Choose **Roof fan** when using a cooker hood whose extract air does not pass through the ventilation unit. Compensation is now achieved by slowing the extract air fan and the cooker hood only controls the roof fan.

Also see the section "Commissioning external equipment".

When the outdoor air is very cold, you can lower the supply air fan's speed so that the supply air temperature does not drop too much.

**3.3.4 Central vacuum function**

The central vacuum function helps to balance the ventilation when using a central vacuum cleaner, which prevents excessive negative pressure and improves the cleaning result. A switching signal can be connected to the ventilation unit's signal input (IO-control) so that the function is activated automatically when the central vacuum is started.

The function can also be started from a Smart control panel, the function then runs until the set time has elapsed.

The function's settings can be adjusted from the *Settings/Smart Functions/Central vacuum boost* menu.

Central vacuum function	
Run time	0 min
Compensation	20%

The "Operating time" setting is used to state how long a function started from Smart functions should be enabled (maximum 120 minutes). You can adjust the function's effectiveness using the compensation setting (max 50 %).

**3.3.5 Fireplace function**

The smart fireplace function facilitates lighting the fire and ensures clean combustion. Problems caused by too little draught in an open fireplace usually occur in the autumn, when the temperature difference between the indoor and outdoor air is slight and the chimney is cold. The Fireplace function attempts to give a temporary positive pressure in the home when the fireplace is lit, without changing the fan speeds. After the first phase passes the fireplace function switches to maintenance mode and compensates the need of combustion air. The function can be cancelled from the control panel.

The function can be started from Smart functions or by enabling the I/O input intended for the fireplace function (IO-control). The function runs for the set time and can also be stopped from a Smart control panel.

The function's settings can be adjusted from the *Settings/Smart Functions/Fireplace function* menu.

Fireplace function	
Run time	60 min
Speed difference	20%

Selectable settings for the fireplace function are the function for the desired operating time (max. 60 min) and the desired difference in fan speed (max. 50 %). If problems occur with the chimney draught when lighting the fire, the percentage value can be increased slightly from the default value.

Use of the fireplace function repeatedly in extreme cold can cause freezing in the ventilation unit.

**3.3.6 Automatic Home/Away/Boost system**

The function is available only on models equipped with a carbon dioxide sensor. The automatic control system controls the ventilation strength variably according to the carbon dioxide level in the home.

This function should always be set in conjunction with commissioning.

The function can be activated and set from the *Settings/Smart Functions/Home/Away/Automatic Boost* menu. NOTE! The function is only visible if the sensor has been detected.

Auto Home/Away/Boost	
Mode	In use
A+ now	750 ppm
Home limit	900 ppm
Away limit	600 ppm

The settings menu shows the value "A+ now" the current level of carbon dioxide. The function is set by defining the limits values Home and Away. A suitable **Home limit value** can be determined by reading the "A+ now" value from the menu when a normal number of people are in the home. Similarly you can determine the **Away limit value** by reading the "A+ now" value when the property has been empty for several hours.

**3.3.7 Automatic humidity system**

The function is available only on models equipped with a humidity sensor. The function is put into service from the "Smart-functions" menu. The function boosts the ventilation variably based on the moisture load caused by people, for example, increased moisture load in the home due to showering. If the home's moisture level (RH) remains above 60 % for a long period, we recommend that the ventilation is boosted and that a check is made of the moisture source.

The function can be activated and set from the *Settings/Smart Functions/Auto RH control* menu.

NOTE! The function is only visible if the sensor has been detected. The function is enabled automatically when the sensor is detected.

Auto humidity control	
Mode	
RH now	30 %
Boost limit	5 % + RH
Full boost limit	30 % + RH
Sauna function	<input type="checkbox"/>
Sauna boost	5 %

The value **"RH now"**, the current moisture level, is shown on the settings menu.

The ventilation starts to be boosted variably when the extract air's humidity has risen as much as the **Boost limit value**. The **Full boost limit** value is used to set at which humidity value in the extract air that full boost is reached. Boost increases when the value decreases.

If you put automatic **Sauna limit** into service, the ventilation is boosted with the set value during the sauna. This function prevents any disruptive variations in the fan speeds while the sauna is working.

### 3.3.8 Automatic air quality control

The function is available only on models equipped with automatic air quality. Automatic air quality boosts the ventilation variably according to the indoor air quality.

This function should always be set in conjunction with commissioning.

The function can be activated and set from the *Settings/Smart Functions/Auto air quality control* menu. NOTE! The function is only visible if the sensor has been detected.

Auto Air Quality control	
Mode	
AQ now	In use
AQ now	620 ppm
Boost limit	800 ppm
Full boost limit	1400 ppm
Filter time	2 min

The settings menu shows the value **"AQ now"** the current air quality level. The function is set by specifying the boost limits where you want the ventilation boost to start and the value at which you want the ventilation unit to reach maximum boost. Appropriate values can be established based on the **"AQ now"** value shown in the menu.

If it seems that the ventilation system reacts too quickly to changes in the air quality level, you can increase the **filtering time**.

### 3.3.9 Temperature boost

Temperature boost is available if an air heater has been installed in the system, which is available as an accessory, and if you have set room air as the control method on the "Heating/cooling" method. The function boosts the air flow so that the required room temperature is reached.

The function can be activated and set from the *Settings/Smart Functions/Heating boost* menu. The function can be boosted by increasing the boost value.

Temperature boost	
Mode	
Heating gain	In use
Heating gain	5 %
Cooling Gain	5 %
Use in away mode	<input type="checkbox"/>

## Important

**Smart measurements: CO<sub>2</sub>, RH and VOC. The absolute values in the measurement result affect how well the control works.**

### 3.4 Heating/cooling

Commissioning and setting of the heating and cooling equipment connected to the ventilation unit are performed from this menu. Detailed instructions are supplied together with accessories. As the factory setting, the ventilation unit normally has internal post heating that is controlled based on the supply air during the heating season (post heating's outdoor air limit). The setting value for the supply air can be decreased in the "Away" and "Travelling" operating modes.

Heating / Cooling	
Adj. method	Supply air
Sensors / controls	
Setpoint	17°C
Setpoint (away)	17°C
Setpoint (travelling)	17°C
Int. post heater	<input checked="" type="checkbox"/>
Ext. post heater	<input type="checkbox"/>
Post heater out limit	8°C
Ext. post cooling	<input type="checkbox"/>
Ext. electric preheater	<input type="checkbox"/>
Ext. liquid coil	<input type="checkbox"/>

The measurement value for the supply air and room air temperature can be fine tuned from the *Temperatures/control functions* menu, if the room temperature that is measured with a separate thermometer deviates from the temperature shown by the ventilation unit.

**Important**

**Turning off the internal post heating or lowering the limit value for the outdoor temperature is not recommended, due to the risk of condensation.**

### 3.5 Anti-frost protection

Anti-frost protection on the ventilation unit works automatically. The effect of the anti-frost protection can be increased if necessary by increasing the "Efficiency" value.

Defrost settings	
Efficiency	4
Supply air limit	<input checked="" type="checkbox"/>
Fresh air limit	0°C
Supply air limit (min.)	14°C

Reducing the strength of the ventilation means the "Supply air limit" value prevents cold air from entering the duct system.

### 3.6 Restoring factory settings

Resets all settings made from the control panel, with the exception of the fan speeds.

### 3.7 Changing the service code

This menu is used to change the code to access the setting menu.

Enter code

[ 1 2 3 4 ]

Accept

### 3.8 Use

Issues with reference to the usage of the ventilation system are dealt with in the instructions for use supplied with the unit.



## 4. Service

### 4.1 Service reminder

The service reminder is activated with preset time intervals and the ⓘ symbol is displayed on the control panel's screen. As a factory setting, the service reminder is not in operation. It can be put into operation under the main menu item "Diagnostics"/"Service reminder". The recommended service interval for the ventilation unit is six months.

When servicing has been performed, the service reminder is reset from "Alarm" in the main menu.

### 4.2 To open the ventilation unit

Before you begin any service work, isolate the power supply voltage to the ventilation unit by pulling out its electric plug from the wall socket. Wait a few minutes before you open the inspection door of the ventilation unit so that the fans have time to stop and possible air heaters have time to cool down.

The inspection door can be opened by turning the lock bolt with a screw driver for slotted screw heads.

Turn the service switch to the 0-position prior to commencing servicing.

### 4.3 Filter

The filters should be replaced at least every six months. The filters may need to be cleaned or replaced more often in homes where there is considerable dust or if there are many impurities in the outdoor air.

The ventilation unit must not be operated without filters. Use only filters recommended by Swegon in the ventilation unit. This is important, as filters with exactly the same appearance and size can have very different pressure losses and filter capacity. If an incorrect filter is used, it is not certain that the ventilation unit will work as designed. Check in the list of components that you have selected correct filters.

### 4.4 Heat exchanger

You should check the condition of the heat exchanger whenever you service the unit.

Withdraw the heat exchanger from the unit for inspection. Do not damage the heat exchanger fins.

Make sure that the passages through the heat exchanger rotor are not clogged and clean them e.g. with running warm water if required. Never use cleaning agents.

**The passages of the heat exchanger should be dry before you reinstall the heat exchanger in the unit.**

### 4.5 Fans

The ventilation unit's fans must be checked at least every two years.

#### Dismantling the fans for cleaning

- Remove the filters and heat exchanger from the ventilation unit.

- Open the locking devices on the fans and loosen the locks.
- Tilt the lower part of the fan toward the rear wall until the fan disconnects from the mounting bracket behind.
- Turn the fan sideways and pull it away from its position. Be careful not to damage the insulation on the electric cables.
- Loosen the fastening screws on the partition wall and remove the partition wall if necessary.
- If necessary, clean the fan with a soft brush. Be careful not to dislocate the impeller balancing weights. If significant amounts of dirt collect on the fan impeller cleaning should be left to a professional.
- Reinstall the fan by sliding it towards the rear wall and lift it into place, fit the locks.
- Fit the heat exchanger and filter.

**The ventilation unit's fans must be loosened from their locations and protected, for example, with plastic bags, while the ventilation ducts are cleaned.**


### 4.6 Other servicing

Clean the inner surfaces of the ventilation unit by vacuum cleaning or with a damp cloth, if needed.


Check that dirt has not collected on the surfaces of the air heater/coolers, clean if necessary.

Check that the condensate discharge outlet is not clogged and check its outflow by pouring water on the bottom of the ventilation unit. The condensate discharge connection is located on the rear of the unit under the rotary heat exchanger.

Check that the ventilation unit works normally and that no alarms are shown on the screen or on the cooker hood.

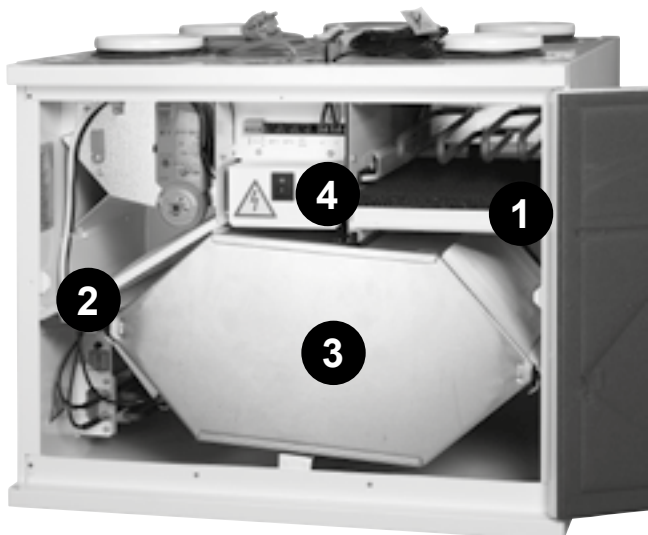


### Important



**The ventilation unit must not be operated without filters! Only filters from Swegon may be installed in the ventilation unit. Find the correct filter in the Section entitled: "Technical data".**

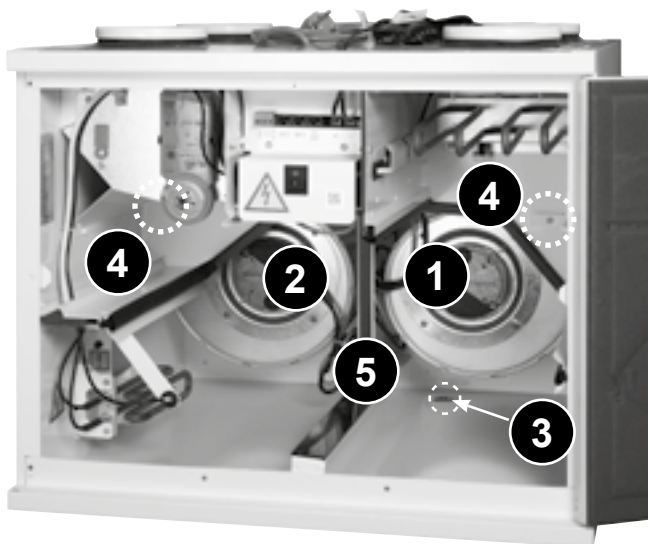
The figures show the R-model of the ventilation unit.



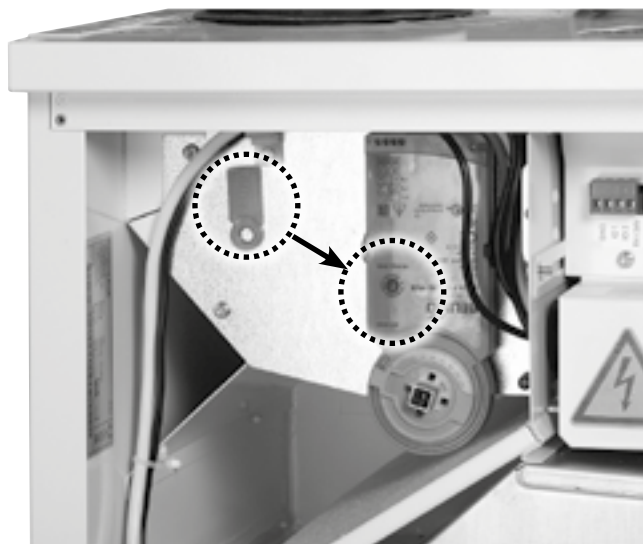
- 1. Supply air filter, F7 + heat resistant filter
- 2. Extract air filter, G3
- 3. Heat exchanger
- 4. Service switch



The ventilation unit's fans must be loosened from their locations and protected, for example, with plastic bags, while the ventilation ducts are cleaned.



- 1. Extract air fan
- 2. Supply air fan
- 3. Condensate discharge connection
- 4. The fan's locking device
- 5. Partition wall





The damper motor can be released if necessary by moving the release magnet on top of the motor directly opposite the "magnetic gear release" mark. When the magnet is in position, the summer bypass damper can be opened or closed manually.



# 5. Alarms and Troubleshooting

## 5.1 Alarm, cooker hood










If the ventilation unit controlled by a cooker hood malfunctions, all signal lamps on the cooker hood's front glass light three times at one minute intervals. Contact an authorised service company.

## 5.2 Alarm, control panel

Any disruptions to the function of the ventilation unit are indicated by symbols on the upper row of the base display. If there is an active alarm in the system, the screen leaves its standby mode and does not enter standby mode again as long as the alarm is active. The symbol for an active alarm is . The condition that has caused the alarm is shown by the "Alarm" item on the main menu. A so-called info-alarm remains on the screen when the active fault condition ceases.  The Info alarm can be reset from "Alarm" on the main menu.


Important


**Frost protection function**  
**Ice can form in the heat exchanger during periods of cold weather if the extract air is humid. A protective function then automatically reduces the speed of the supply air fan. Under such conditions, variations in the fan speed are therefore normal. Under such conditions, small amounts of ice can form inside the ventilation unit.**

Status	Alarms	Cause	Action
	T1...T8 sensor fault	Sensor is defective or the cable is loose/not connected.	Contact a service company. The ventilation unit runs in a restricted operating mode.
	Post heater error	Supply air too hot, control/air heater fault or overtemperature protection has tripped.	Contact a service company! Check the function of the air heater for reheating and preheating.
	Preheater error	The temperature of the post heating coil is too high. Control/air heater fault or overtemperature protection has tripped.	Contact a service company! Check the function of the air heater for preheating.
	Freeze risk water-heated air heater	Outdoor temperature below 0 °C and the temperature of the water has dropped below the alarm limit.	Ensure that the circulation pump in the waterborne heating system is running and that the water supply to the ventilation unit's air heater is hot enough.
	Faulty supply air fan	No speed signal from the fan.	Contact a service company.
	Faulty extract air fan	No speed signal from the fan.	Contact a service company.
	Contact fault	Control panel does not communicate with ventilation unit.	Restart the ventilation unit. Contact the service company if the error persists.
	External emergency stop/fire alarm	External emergency stop enabled. The ventilation unit is stopped by the emergency stop function even though the supply air is very cold.	The alarm clears automatically when the external emergency stop or the fire alarm ceases. No info alarm remains afterwards.
	Service reminder	The set service interval has elapsed.	Service the ventilation unit and acknowledge the service reminder.

## 5.3 Troubleshooting

A ventilation system is a unified whole composed of several system components all of which influence how the system operates. A malfunction in ventilation performance could be caused by any component of the ventilation system or by the way the system has been installed. If during the ventilation unit's warranty period (2 years) after a check (see the enclosed check list) there are functional disruptions in the ventilation unit, you can register these using the response form at the address [www.casahelp.fi](http://www.casahelp.fi). There are also instructions, service

videos and frequently asked questions on the same website. You directly access a web page with model specific instructions by reading the QR code on the door of the ventilation unit with a smartphone.

If a problem or a fault occurs on the ventilation system after the warranty period (2 years), contact our network of authorised service companies on [www.swegonhome-solutions.se](http://www.swegonhome-solutions.se), your real estate company's service division or another service company that is fully conversant with ventilation repairs.

## CHECK LIST

### For users of the Swegon CASA ventilation unit

Thank you for your excellent choice of energy efficient ventilation for your home. Swegon designs, manufactures, markets and sells Swegon CASA ventilation units and cooker hoods. Swegon guarantees the functionality of the manufactured units and grants a warranty for them. A ventilation system is a unified whole composed of several system components all of which influence how the system operates. This check list is meant for use by specialists in the building trade and for residents who suspect malfunctions in the ventilation.

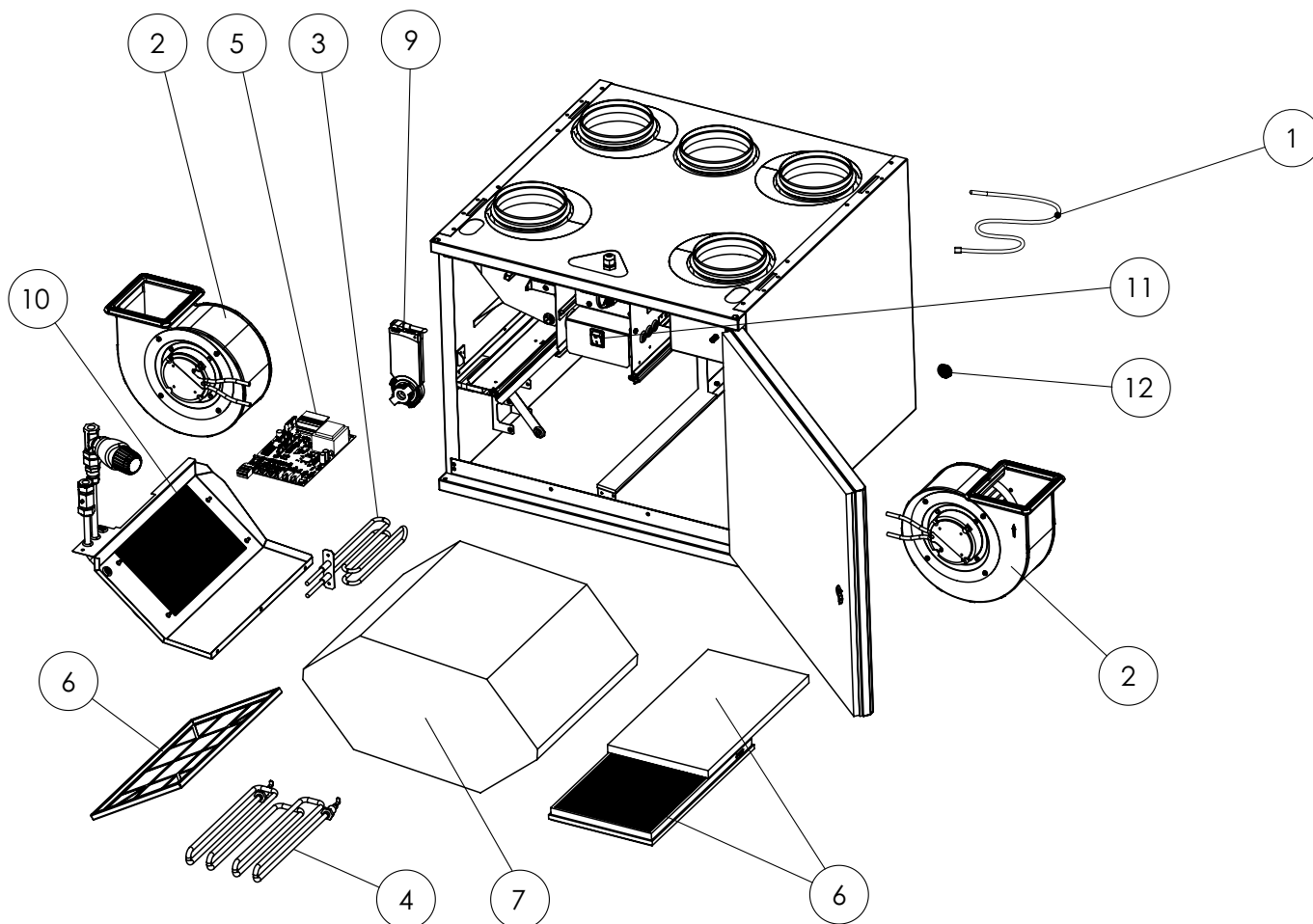
### Malfunctions in ventilation performance

A malfunction in ventilation performance could be caused by any component of the ventilation system or by the way the system has been installed. Normal operation of the Swegon CASA ventilation unit is described in the user's instructions supplied with the unit on delivery. If malfunctions occur in the ventilation system, ensure the following with the help of a professional:

- | <input checked="" type="checkbox"/> | <u>Item to check</u>  |
|-------------------------------------|---|
| <input type="checkbox"/>            | 1) Make sure that the pipes have been insulated fully according to the instructions and that the insulation reaches all the way up to the ventilation unit so that no uninsulated surface is visible.<br>-> Even a small gap in the insulation could cause among others condensation and acoustic problems.   |
| <input type="checkbox"/>            | 2) Make sure that the pipes' connections to the ventilation unit are tight and that the unit is installed horizontally.<br>-> If the connections have not been fitted correctly, condensation and acoustic problems could arise.  |
| <input type="checkbox"/>            | 3) Make sure that the ventilation unit is equipped with Swegon's original filters ( <a href="http://www.casastore.fi">www.casastore.fi</a> ). This will ensure pressure differentials and the filtration values that conform to the design level, enable the unit to operate correctly and maintain a healthy indoor climate in the home. Make also sure that the filters are clean and replace them when needed. Check also the outdoor air grille and clean it if needed. |
| <input type="checkbox"/>            | 4) Check that there are no unnecessary objects or impurities inside the ventilation unit. At the same time, make sure that the condensate drain in the bottom of the ventilation unit is not clogged by impurities or insects. The condensate drainage function can be checked by pouring a few drops of water on the bottom of the ventilation unit.   |
| <input type="checkbox"/>            | 5) If the ventilation unit is equipped with electric air heaters, make sure that the excess temperature cutout switches have not tripped. The excess temperature cutout can be manually reset by pressing a button according to the user's instructions.  |
| <input type="checkbox"/>            | 6) Make sure that the ventilation unit's inspection cover is closed and that it seals tightly along its entire periphery against the unit casing.   |
| <input type="checkbox"/>            | 7) Check that the air flow rate settings have been set according to the ventilation plan and that the air flow rates to and from the ventilation unit's air heater are in balance (the supply air flow must be 2-10 % less than the extract air flow).  |
| <input type="checkbox"/>            | 8) Make sure that the fan speeds have been preset for all the operating modes (Away, Home, Boost). If the fan speed settings do not deviate from the factory settings presented in the instructions, there is reason to suspect inadequate commissioning/adjustments.   |
| <input type="checkbox"/>            | 9) Make sure that a correctly recorded and approved measurement record is available.  |

If the above-stated checks are not carried out and representatives for Swegon or an authorized service company discover inadequacies in them, the client is responsible for the costs for the service visit, even during the warranty period. If a ventilation unit under warranty is still marred by functional disruptions after the checks, submit a contact request on our web site [www.casahelp.fi](http://www.casahelp.fi). If a problem or a fault occurs on the ventilation system after the warranty period (2 years), contact our network of authorised service companies on [www.swegonhomesolutions.se](http://www.swegonhomesolutions.se), your real estate company's service division or another service company that is fully conversant with ventilation repairs.

## 6. List of components



1. Temperature sensor
2. Fan panel (W3, R-model):
  - Supply air fan: FEC120L-A
  - Extract air fan: FEC120R-A**Fan package (W3, L-model):**
  - Supply air fan: FEC120R-A
  - Extract air fan: FEC120L-A
3. Air heater, pre-heating:
  - 1 000 W: 60369
  - 500 W: 50269 \*
4. Air heater, post heating: 50269
5. EC circuit card: 6030107
6. Set of filters: W304FS
7. Heat exchanger: 61033
8. Door: DWN304RL
9. Damper motor: 60348
  - Release magnet: 60347
10. Air heater, post heating (Econo, R model): B8010BR  
 Air heater, post heating (Econo, L model): B8010BL
11. Service switch: 50319
12. Anti-vibration mountings (2 pcs.): 60790

### Accessories

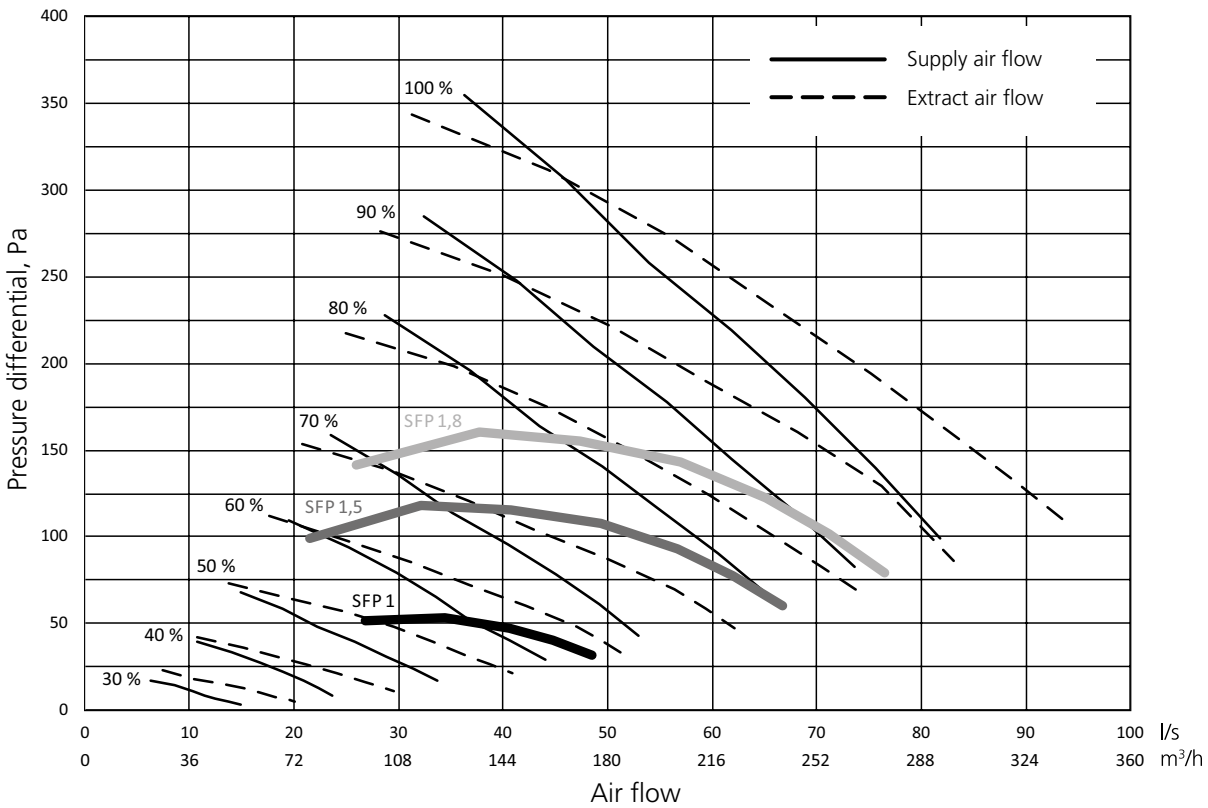
- Smart control panel: SC10
- Modular cable: PMK20
- Mounting frame with vapour barrier (R/L): PW080YP
- Condensate discharge tube: CDH3
- Water trap: UVL
- Ceiling mounting frame (R/L): W03CMB
- Wall mounting bracket: WRWMB
- Filter replacement kit, F7, G3 + heat resistant filter: W304FS

\*) W3 models W03VR05S10HA  
W03VL05S10HA

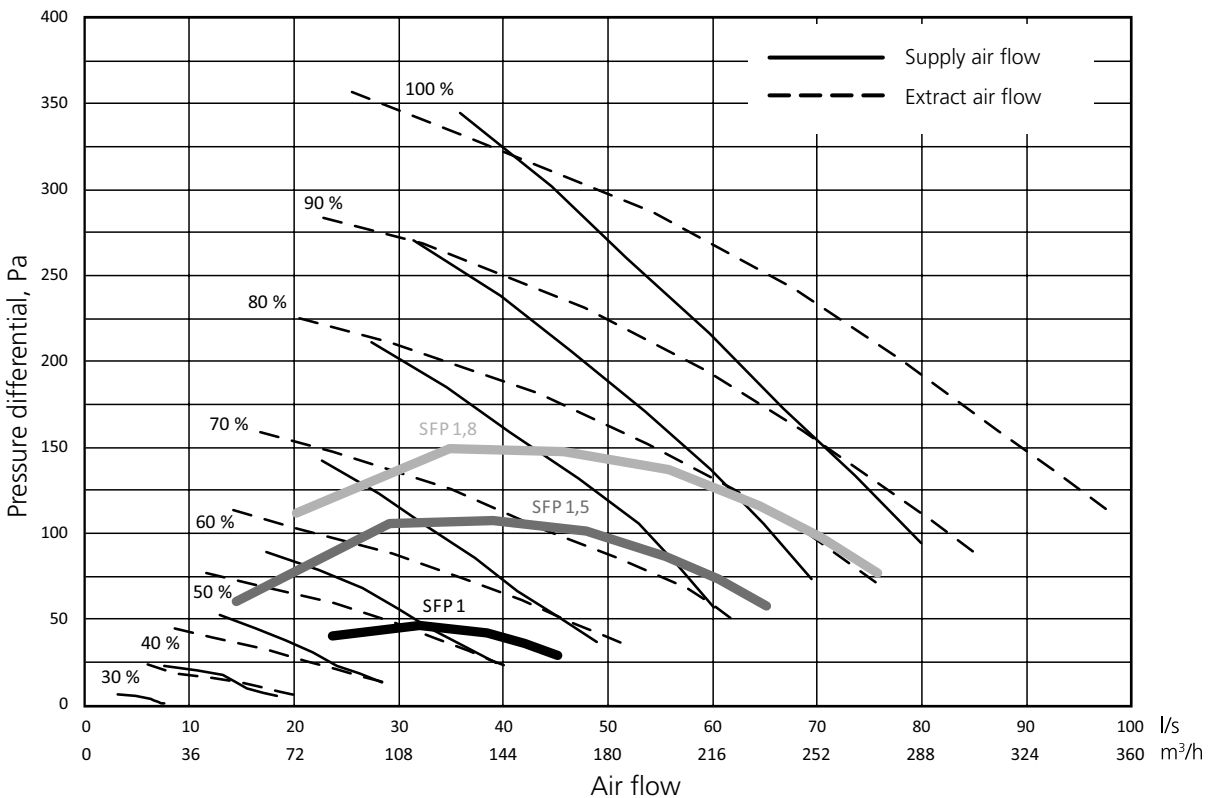
# 7. Technical data

## 7.1 Fan outputs (EN 13141-4)

### 7.1.1 W3



### 7.1.2 W3 Econo



## 7.2 Outputs of the components

	W3	W3 Econo
Connection	230 V, 50 Hz, 10 A	230 V, 50 Hz, 10 A
Fans	230 W	230 W
Air heater, pre-heating	1 000 W / 500 W	1 000 W
Air heater, post heating	500 W	-
Total output	1 240 W / 740 W	1 240 W

## 7.3 Acoustic data

### Sound emitted to supply air duct

Fan setting %	Sound power level broken down into octave bands, $L_{w_{okt}}$ dB								Total assessed sound power level $L_{WA}$ dB(A)
	63 Hz	125 Hz	250 Hz	500 Hz	1 000 Hz	2 000 Hz	4 000 Hz	8 000 Hz	
40	61	57	53	45	44	38	31	20	50
50	67	62	62	52	48	43	37	26	56
60	70	66	61	54	52	45	42	32	58
70	73	69	65	58	55	51	48	39	62
80	75	71	68	61	57	54	50	42	65
90	78	73	71	64	59	56	53	45	67
100	79	75	75	67	60	58	55	47	70

### Sound emitted to extract air duct

Fan setting %	Sound power level broken down into octave bands, $L_{w_{okt}}$ dB								Total assessed sound power level $L_{WA}$ dB(A)
	63 Hz	125 Hz	250 Hz	500 Hz	1 000 Hz	2 000 Hz	4 000 Hz	8 000 Hz	
40	49	49	41	35	28	20	-	-	38
50	51	57	47	39	33	25	13	-	44
60	57	60	52	42	36	29	20	-	49
70	56	64	57	43	34	32	24	11	52
80	64	65	60	48	40	35	28	16	55
90	-	68	62	50	42	37	30	19	56
100	65	69	65	51	43	38	32	21	60

### Sound emitted to outdoor air duct

Fan setting %	Sound power level broken down into octave bands, $L_{w_{okt}}$ dB								Total assessed sound power level $L_{WA}$ dB(A)
	63 Hz	125 Hz	250 Hz	500 Hz	1 000 Hz	2 000 Hz	4 000 Hz	8 000 Hz	
40	-	-	37	30	27	17	-	-	32
50	-	57	46	36	36	21	-	-	44
60	59	62	51	42	36	30	17	-	49
70	59	64	55	45	40	32	22	-	51
80	66	67	58	49	41	37	28	15	54
90	-	68	61	52	44	39	32	20	57
100	59	71	64	55	47	42	36	24	60

**Sound emitted to exhaust air duct**

Fan setting %	Sound power level broken down into octave bands, $L_{w_{okt}}$ dB								Total assessed sound power level $L_{WA}$ dB(A)
	63 Hz	125 Hz	250 Hz	500 Hz	1 000 Hz	2 000 Hz	4 000 Hz	8 000 Hz	
40	59	57	47	43	42	37	28	17	47
50	65	63	54	48	47	40	36	24	53
60	70	68	58	52	50	45	41	30	57
70	68	71	62	56	53	49	45	35	61
80	78	74	66	60	56	52	49	40	64
90	79	77	70	62	57	55	51	42	67
100	79	77	71	64	58	56	52	44	68

**Sound emitted to kitchen bypass duct**

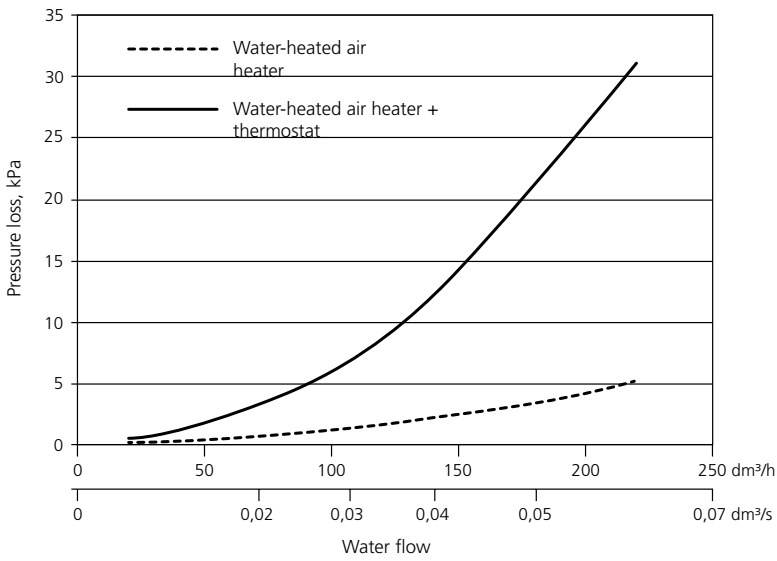
Fan setting %	Sound power level broken down into octave bands, $L_{w_{okt}}$ dB								Total assessed sound power level $L_{WA}$ dB(A)
	63 Hz	125 Hz	250 Hz	500 Hz	1 000 Hz	2 000 Hz	4 000 Hz	8 000 Hz	
40	-	42	42	37	33	32	19	-	40
50	58	54	50	43	39	34	27	12	46
60	56	59	55	46	43	38	33	20	51
70	59	62	59	49	45	42	37	25	54
80	-	65	63	49	48	45	41	30	57
90	-	67	66	53	50	48	43	32	60
100	66	69	67	54	50	48	44	34	61

**Sound emitted to the surroundings**

Fan setting %	Sound power level broken down into octave bands, $L_{w_{okt}}$ dB								Total assessed sound power level $L_{WA}$ dB(A)	Sound pressure level 10 m <sup>2</sup> sound absorption $L_p(10)$ , dB(A)*
	63 Hz	125 Hz	250 Hz	500 Hz	1 000 Hz	2 000 Hz	4 000 Hz	8 000 Hz		
40	42	44	37	25	27	19	-	10	33	29
50	44	46	43	32	25	22	12	-	37	33
60	43	50	45	35	27	26	18	11	39	35
70	64	53	46	34	29	29	22	11	43	39
80	65	55	49	35	31	32	25	11	45	41
90	66	58	51	39	33	34	28	13	47	43
100	62	60	53	40	37	36	29	14	48	44

\* Equivalent to a normally insulated room. If sound power level  $L_{WA}$  dB (A) values are required, the 4 units (dB) need to be added to the table values.

**7.4 Econo, pressure loss in water-heated air heaters**

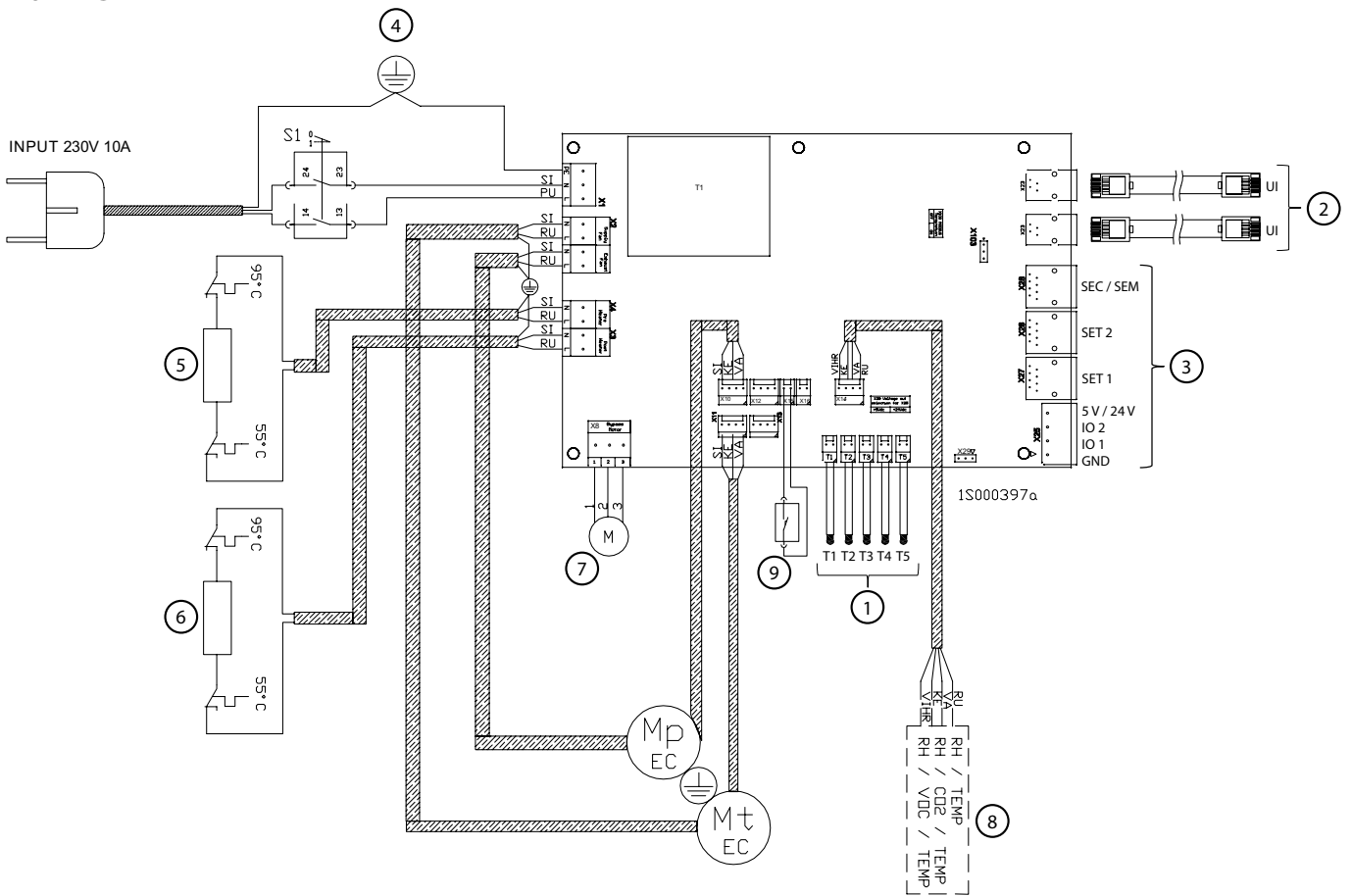


**7.5 Econo, sizing of the water-heated air heater**

Inlet flow water °C	Water flow l/h	Air flow l/s Air flow m³/h Capacity W		
		40 144	60 216	80 288
35	40	260	310	330
	80	360	430	470
	150	400	490	560
	220	420	520	600
50	40	450	540	580
	80	590	710	790
	150	650	810	920
	220	680	840	980
70	40	730	860	930
	80	890	1070	1230
	150	1000	1130	1410
	220	1040	1280	1490

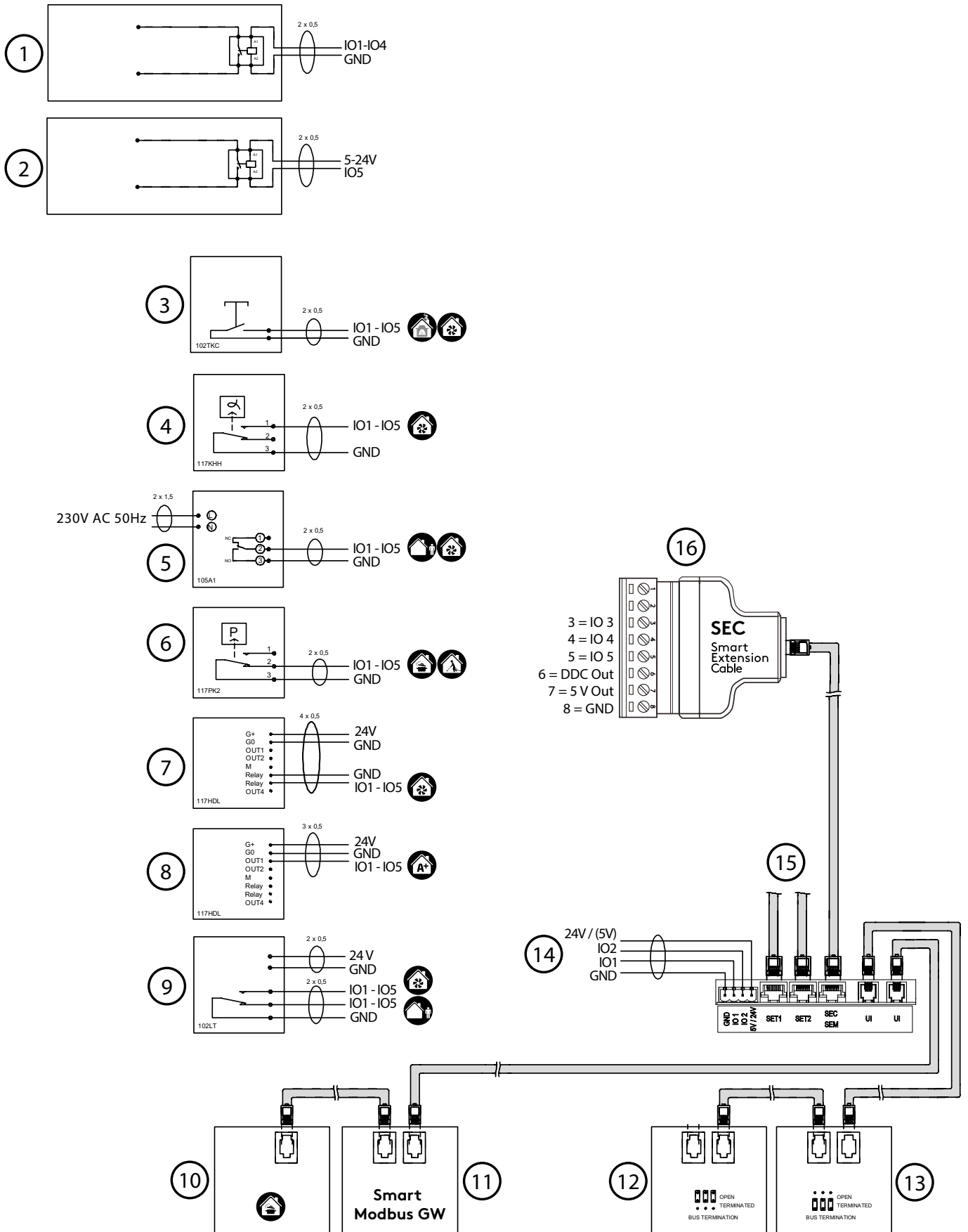
## 7.6 Electrical wiring diagram

### 7.6.1 W3



1. Temperature sensor, see the Control diagram
2. Connector for the connection of the Smart control panel or Smart cooker hood, which are sold as accessories.
3. External electrical connections. See the section "Control functions with optional items of equipment".
4. Service switch
5. Preheating air heater (1 000 W / 500 W)
6. Post heating air heater 500 W
7. Damper motor
8. Smart sensor package
  - RH
  - RH + CO<sub>2</sub> (accessory)
  - RH + VOC (accessory)
9. Switch for summer bypass damper

## 7.6.2 Control functions with accessories



1. External relay control, alarm signal, duct damper, status signal, Modbus
2. External relay control (earthed output), alarm signal, duct damper, status signal, Modbus
3. Fireplace/boost switch, for control of the fireplace function or boosting
4. Humidity sensor, for control of boosting
5. Timer, for control of the Away/Boost mode
6. Pressure switch, for control of the cooker hood/central vacuum
7. CO<sub>2</sub> sensor with relay, for control of boosting
8. CO<sub>2</sub> sensor with relay, for control of Automatic Home/Away/Boost system
9. Presence sensor
10. CASA Smart cooker hood
11. Swegon CASA Smart Modbus gateway
12. Swegon CASA Smart control panel (UP1)
13. Swegon CASA Smart control panel (UP2)
14. Connection points on the ventilation unit: IO1, IO2, 24 V / (5 V), selection from circuit board
15. SET-module, Smart Extension Temperature module, connection card for external duct equipment
16. SEC Smart Extension Cable, connection cable

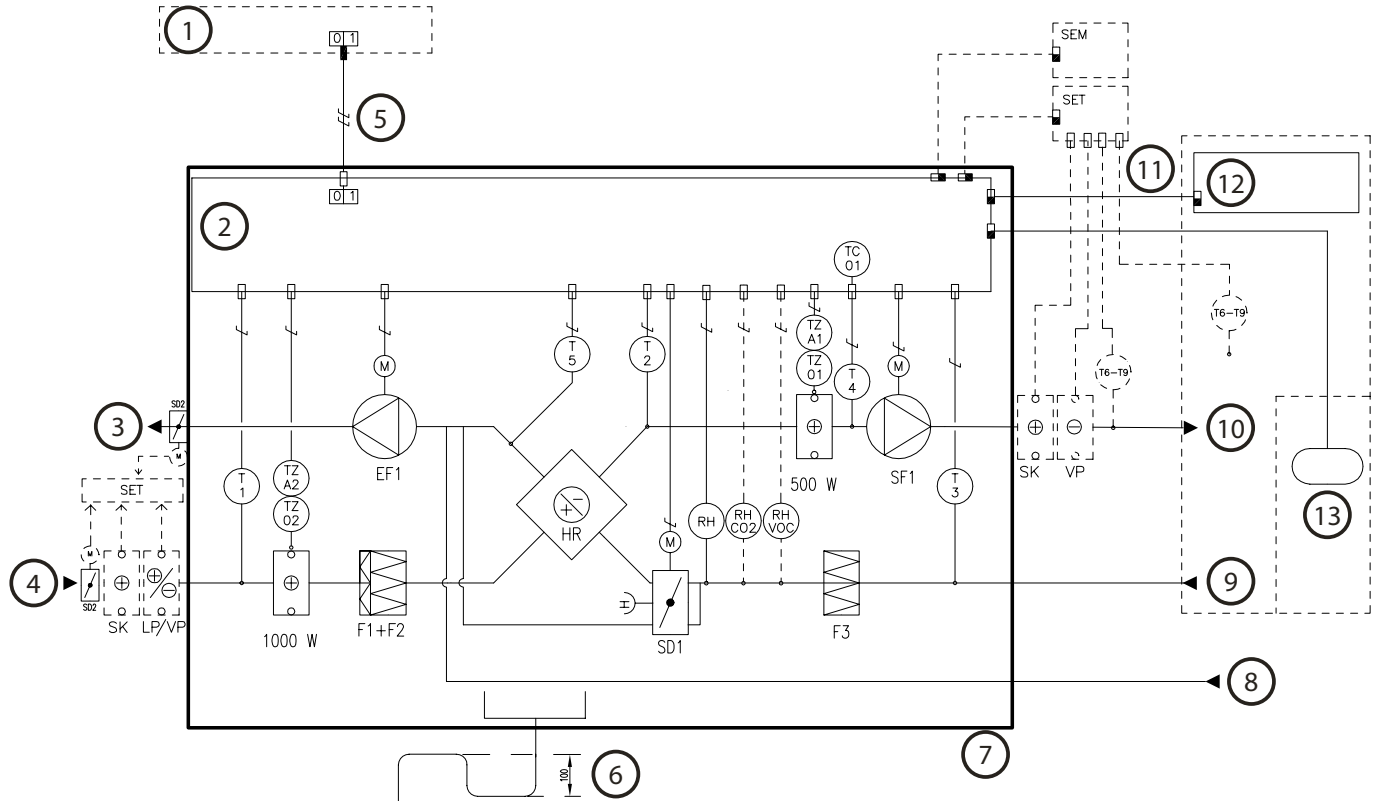
External equipment can be connected to the ventilation unit's configurable I/O connections. You can connect two optional inputs to the ventilation unit's circuit board and to the SEC/SEM expansion modules, which are available as accessories, you can connect three. The connection of an external duct mounted air heater is performed to the SET expansion module, according to the instruction supplied with the accessory.

When you connect external equipment to the ventilation unit, the function of I/O connections must be defined in the menu "Setting/I/O-control" (the standard option is shown in the figure).

IO controls	
IO 1	Fireplace - DI
IO 2	Boost - DI
IO 3 (ext.)	Away - DI
IO 4 (ext.)	Emg.Stop_NO - DI
IO 5 (ext.)	DDC control - AI

## 7.7 Control diagram

### 7.7.1 W3



1: Group electrical distribution box | 2: Electrical equipment cubicle | 3: Exhaust air | 4: Outdoor air | 5: Power supply: 230 V, 10 A with plug-in connection | 6: The damming height of the water trap, 100 mm | 7: Supply demarcation of the ventilation unit | 8: Separate extract air, bypasses the heat exchanger | 9: General ventilation | 10: Supply air | 11: Modular cables with RJ9-connectors | 12: Control panel | 13: Cooker hood

SYMBOL	DESIGNATION	EXPLANATION
TC01	TEMPERATURE CONTROLS	Temperature control for the post heating air heater
T1	TEMPERATURE SENSOR	Temperature sensor, outdoor air
T2	TEMPERATURE SENSOR	Temperature sensor, supply air downstream of the heat exchanger
T3	TEMPERATURE SENSOR	Temperature sensor, extract air
T4	TEMPERATURE SENSOR	Temperature sensor, supply air.
T5	TEMPERATURE SENSOR	Temperature sensor, exhaust air
T6-T9	TEMPERATURE SENSOR	Connected to SET, the functions are determined through the programming of SET (accessory)
TZ01, TZ02	OVERHEATING PROTECTION	Overheating protection with manual reset
TZA1, TZA2	OVERHEATING PROTECTION	Automatic over temperature protection
SET	CONNECTION UNIT	Connection unit for Smart control signals
SEM	CONNECTION UNIT	Connection unit for Smart Modbus/control signals
F1 + F2	FILTER	Supply air filter
F3	FILTER	Extract air filter
HR	HEAT EXCHANGER	Heat exchanger
SF1	FAN	Supply air fan
EF1	FAN	Extract air fan
SD1	DAMPERS	Bypass damper summer time
SD2	DAMPERS	Shut-off dampers, accessory
SK	AIR HEATER/COOLER	Electric air heater, accessory
LP	AIR HEATER/COOLER	Air heater accessory
VP	AIR HEATER/COOLER	Air cooler, accessory
RH	SENSOR	Humidity sensor
RH + CO2	SENSOR	Humidity/carbon dioxide sensor, accessory
RH + VOC	SENSOR	Humidity/VOC sensor, accessory

#### DESCRIPTION OF THE FUNCTIONS

##### CONTROL FUNCTIONS:

The ventilation unit can be operated from a separate Smart control panel or a compatible CASA cooker hood. When the ventilation unit is controlled from the cooker hood in the Home/Away/Boost modes and for local extraction, the time can be set to 30, 60 or 120 minutes. The supply air temperature can be set from the control panel. When necessary, the post heating function can also be switched off with control panel settings.

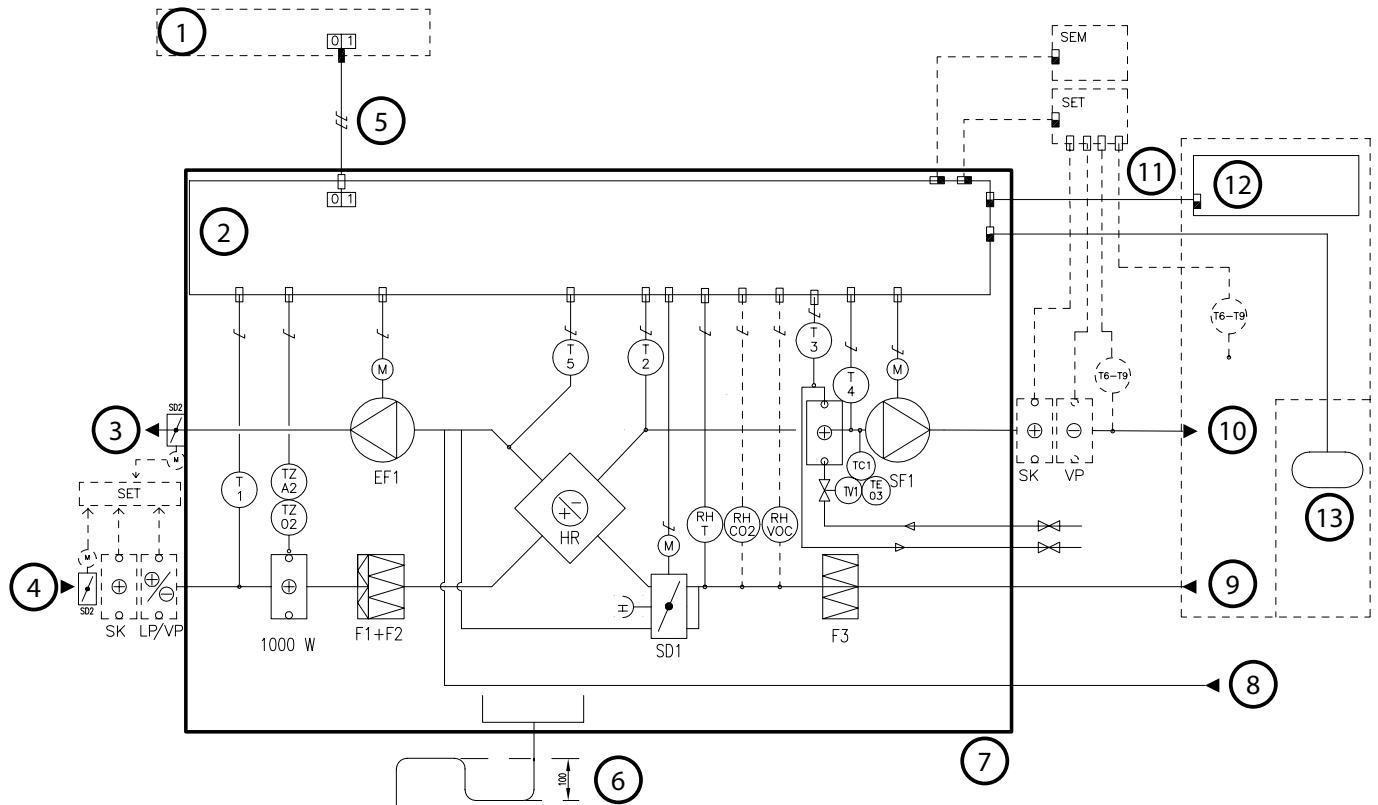
Summer operation: In the summer, the extract air is steered past the heat exchanger when the controller opens the bypass cover.

- The air heater for post heat is equipped with an automatic thermostat TZA1 and a thermostat TZ01 with manual reset (set value 90 °C).
- The air heater for preheat is equipped with an automatic thermostat TZA2 and a thermostat TZ02 with manual reset (set value 90 °C).
- The fans have automatic overtemperature protective devices.

##### IF THE SAFETY EQUIPMENT TRIPS:

- If an overheating protection with manual reset trips, it can be reset by pressing a reset button above the air heater.
- The automatic overheating protections of the fans will reset themselves when the temperature has dropped below the setting value.

## 7.7.2 W3 Econo



1: Group electrical distribution box | 2: Electrical equipment cubicle | 3: Exhaust air | 4: Outdoor air | 5: Power supply: 230 V, 10 A with plug-in connection | 6: The damming height of the water trap, 100 mm | 7: Supply demarcation of the ventilation unit | 8: Separate extract air, bypasses the heat exchanger | 9: General ventilation | 10: Supply air | 11: Modular cables with RJ9-connectors | 12: Control panel | 13: Cooker hood

SYMBOL	DESIGNATION	EXPLANATION
TC1	MANUAL TEMPERATURE CONTROLS	Manual temperature control for the post heating air heater, factory settings 17 °C
TV1	SELF-DRIVEN THERMOSTAT VALVE	Thermostat valve on the air heater for post heating
TE3	TEMPERATURE SENSOR	Thermostat valve's temperature sensor
T1	TEMPERATURE SENSOR	Temperature sensor, outdoor air
T2	TEMPERATURE SENSOR	Temperature sensor, supply air downstream of the heat exchanger
T3	TEMPERATURE SENSOR	Freeze protection for water-heated air heater for post heating
T4	TEMPERATURE SENSOR	Temperature sensor, supply air.
T5	TEMPERATURE SENSOR	Temperature sensor, exhaust air
T6-T9	TEMPERATURE SENSOR	Connected to SET, the functions are determined through the programming of SET (accessory)
TZ02	OVERHEATING PROTECTION	Overheating protection with manual reset
TZA2	OVERHEATING PROTECTION	Automatic over temperature protection
SET	CONNECTION UNIT	Connection unit for Smart control signals
SEM	CONNECTION UNIT	Connection unit for Smart Modbus/control signals
F1 + F2	FILTER	Supply air filter
F3	FILTER	Extract air filter
HR	HEAT EXCHANGER	Heat exchanger
SF1	FAN	Supply air fan
EF1	FAN	Extract air fan
SD1	DAMPERS	Bypass damper summer time
SD2	DAMPERS	Shut-off dampers, accessory
SK	AIR HEATER/COOLER	Electric air heater, accessory
LP	AIR HEATER/COOLER	Air heater accessory
VP	AIR HEATER/COOLER	Air cooler, accessory
RH + T	SENSOR	Humidity and temperature sensor
RH + CO2	SENSOR	Humidity/carbon dioxide sensor, accessory
RH + VOC	SENSOR	Humidity/VOC sensor, accessory

### DESCRIPTION OF THE FUNCTIONS

#### CONTROL FUNCTIONS:

The ventilation unit can be operated from a separate Smart control panel or a compatible CASA cooker hood. When the ventilation unit is controlled from the cooker hood in the Home/Away/Boost modes and for local extraction, the time can be set to 30, 60 or 120 minutes. The supply air temperature can be manually set with the water-heated air heater thermostat valve. Whenever necessary, the post heating function can be switched off by setting the thermostat to the zero setting. Summer operation: In the summer, the extract air is steered past the heat exchanger when the controller opens the bypass cover.

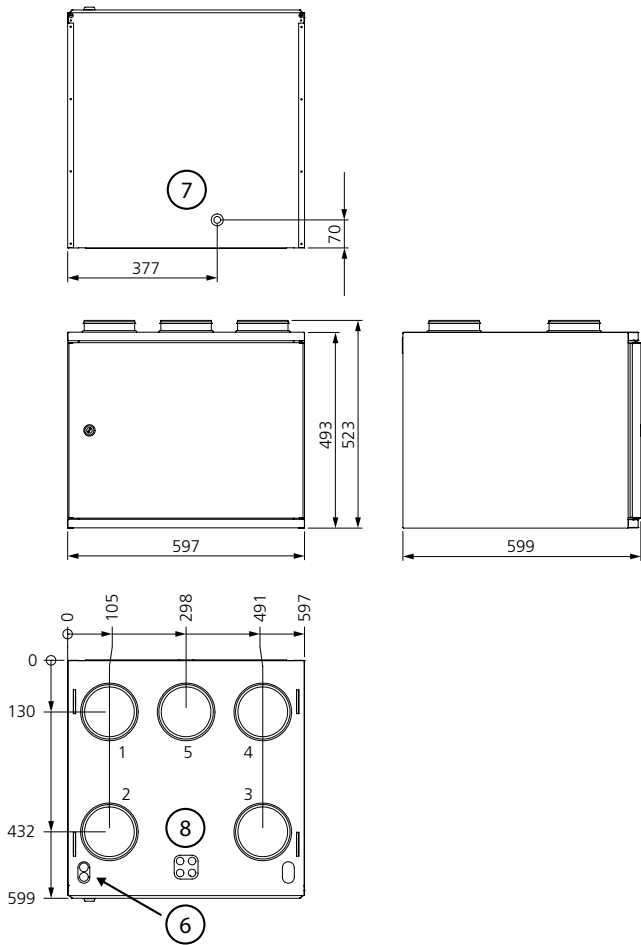
- Freeze protection for water-heated air heater for post heating: The fans will stop if the return water temperature drops below 10 °C, measured on the surface of the return pipe. The fans start again when the return water temperature reaches the set value 16 °C.
- The air heater for preheat is equipped with an automatic thermostat TZA2 and a thermostat TZ02 with manual reset (set value 90 °C).
- The fans have automatic overtemperature protective devices.

#### IF THE SAFETY EQUIPMENT TRIPS:

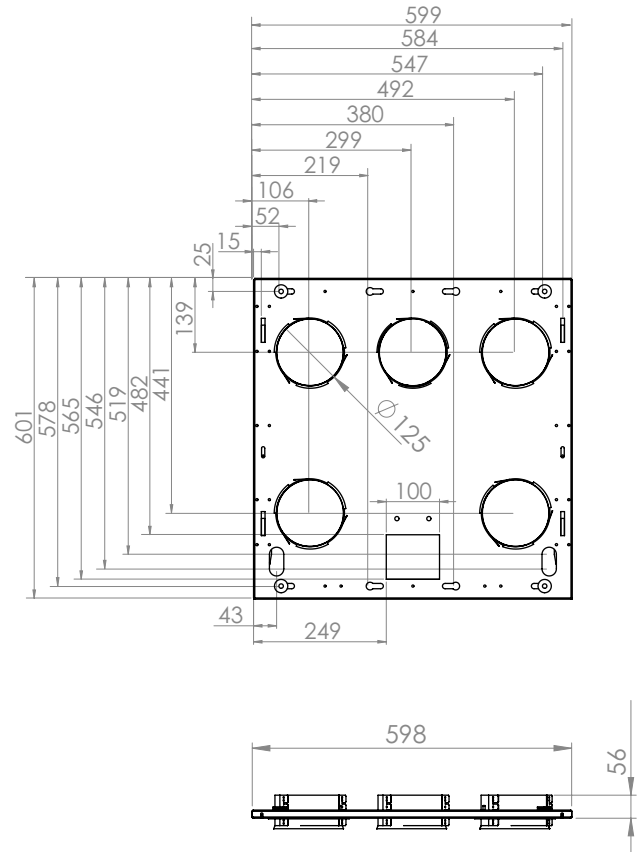
- If an overheating protection with manual reset trips, it can be reset by pressing a reset button above the air heater.
- The automatic overheating protections of the fans will reset themselves when the temperature has dropped below the setting value.

## 7.8 Dimensions

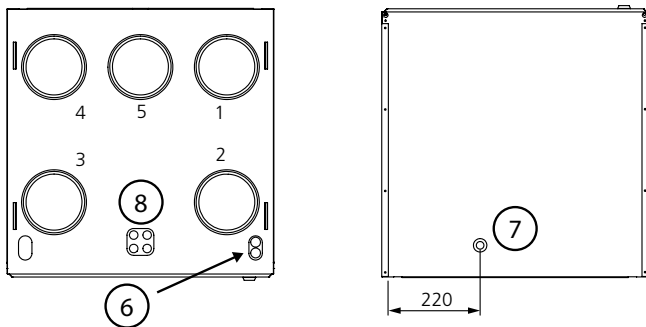
### Swegon CASA W3 R



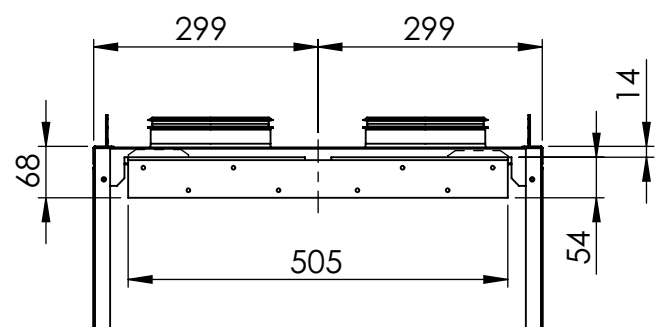
### Roof mounting frame



### Left-hand model, Model L



### Wall mounting bracket



Duct connections				
1	2	3	4	5
Supply air $\varnothing 125$	Extract air $\varnothing 125$	Outdoor air $\varnothing 125$	Exhaust air $\varnothing 125$	Separate extract air $\varnothing 125$

- 6. Radiator connections, 2 pcs.  $\varnothing 15$  mm
- 7). Condensate connection
- 8. Cable gland for electric and control cables

## 7.9 Weights

Ventilation unit: 47 kg.

## 7.10 Ventilation unit codes

• W3 Smart R, 1240 W, RH, manual summer bypass	W03VR05S10HM
W3 Smart L, 1240 W, RH, manual summer bypass	W03VL05S10HM
• W3 Smart R, 1240 W, RH, automatic summer bypass	W03VR05S10HA
W3 Smart L, 1240 W, RH, automatic summer bypass	W03VL05S10HA
• W3 Smart R, 740 W, RH, automatic summer bypass	W03VR05SLOHA
W3 Smart L, 740 W, RH, automatic summer bypass	W03VL05SLOHA
• W3 Smart R Econo + RH, automatic summer bypass	W03VREES10HA
W3 Smart L Econo + RH, automatic summer bypass	W03VLEES10HA

## 7.11 Accessories for installation

- Filter replacement kit, F7, G3 + heat resistant filter: W304FS
- Mounting frame with vapour barrier (R/L): PW080YP
- Ceiling mounting frame (R/L): W03CMB
- Wall mounting bracket: WRWMB
- Condensate discharge tube: CDH3
- Water trap: UVL

### Air cooler for cooling the supply air

- For 160 mm ducts; SDCW 160
- For 200 mm ducts; SDCW 200
- For 250 mm ducts; SDCW 250F

### Air heater for heating the supply air

- For 125 mm ducts; SDHW 125
- For 160 mm ducts; SDHW 160

### Air heater in combination with ground source heat pump

- For 200 mm ducts; SDHW 250F

### Electric air heater for outdoor air duct

- For 125 mm duct; SDHE125-1T
- For 160 mm duct; SDHE160-1T
- For 200 mm duct; SDHE200-1T

## 8. Commissioning form

Function	Factory setting	Setting value
<b>Fan speeds</b>		
Away, supply air fan	40 %	
Away, extract air fan	40 %	
Home, supply air fan	50 %	
Home, extract air fan	50 %	
Boost, supply air fan	65 %	
Boost, extract air fan	65 %	
Travelling, supply air fan	40 %	
Maximum automatic boost, supply air fan	65 %	
<b>Smart settings</b>		
A+, Home limit	900 ppm	
A+, Away limit	600 ppm	
Cooker hood function, compensation (home)	20 %	
Cooker hood function, compensation (boost change)	0 %	
Cooker hood function, boost of cooker hood	0 %	
Fahood function, operation of roof fan	Not used	
Central vacuum function, compensation	20 %	

Air flows   NOTE! All the fan modes should be preset.	Project planning values	Setting value
<b>Supply air, total</b>	<b>l/s m<sup>3</sup>/h</b>	<b>l/s m<sup>3</sup>/h</b>
Away		
Home		
Boost		
<b>Extract air, total</b>	<b>l/s m<sup>3</sup>/h</b>	<b>l/s m<sup>3</sup>/h</b>
Away		
Home		
Boost		

**Ventilation unit data** | Write down the data on the ventilation unit identification plate for reference when the need arises to contact a service company.

--

Preset by:	Date:



### Important

**The supply air flow must be 2–10 % lower than the extract air flow.  
Remember to explain the use of the item of optional equipment and how to service it to the user/caretaker!**

## Warranty Conditions

### WARRANTOR

Swegon ILTO Oy  
Asessorinkatu 10, FI-20780 Kaarina, Finland.

### WARRANTY PERIOD

The product has a two (2) year warranty as from the date of purchase.

### SCOPE OF THE WARRANTY

The warranty covers defects that have arisen during the warranty period, which have been reported to the manufacturer, or been declared by the warrantor or a representative of the warrantor, and which refers to design, manufacture or material defects as well as consequential defects that have arisen on the product itself. The above mentioned defects are to be cleared by putting the product in working order.

### GENERAL WARRANTY LIMITATIONS

The warrantor's warranty liability is limited in accordance with these warranty conditions and the warranty does not cover damages to property or personal injury. The warrantor is not bound to comply with verbal promises in addition to this warranty agreement.

### LIMITATIONS ON WARRANTY LIABILITY

This warranty is granted on condition that the product is used in a normal way or under comparable circumstances for the intended purpose, and that the instructions for use have been observed.

The warranty does not cover defects that have been caused by the following:

- Transport of the product.
- Careless use or overloading the product.
- Failure to follow the instructions dealing with installation, operation, maintenance and care.
- Incorrect installation of the product or incorrect location at the place where it is used.
- Circumstances which are not the fault of the guarantor, such as excessive variations in voltage, damage by lightning and fire or other accidents.
- Repairs, maintenance or design modifications that have been done by unauthorized parties.
- Neither does the warranty cover insignificant defects from an operational standpoint such as scratches on surfaces.
- Parts, which through handling or normal wear are exposed to a greater than normal risk of failure, such as lamps, glass, porcelain, paper and plastic parts are not covered by the guarantee.
- The guarantee does not cover settings, information about usage, care, service or cleaning which is normally described in the instructions for use or the work required to rectify faults caused by the user neglecting to observe the warning or installation instructions, or investigation of such.

### CHARGES DURING THE WARRANTY PERIOD

The authorized service partner will not charge the client for repairs, replaced parts, repair work, transport or travelling expenses necessary for carrying out the repair work that are within the scope of the warranty.

This however assumes the following:

- The defective parts are handed over to the authorized service partner.
- The repair begins and the work is carried out during normal working hours. The authorized service partner has the right to charge the client for extra costs for urgent repairs, or repairs carried out outside of normal working hours. However if the defects may cause a health risk or substantial economic losses, the defects will be repaired immediately without extra charge.
- The service technician for the repair of the product or replacement of defective parts can use a service vehicle or public means of transportation that follows a timetable (boats, airplanes or snow vehicles are not considered public means of transportation).
- The costs for dismantling and installation of equipment, which is securely mounted to the place where it is used, cannot be considered as being abnormal.

### REMEDIAL MEASURES WHEN A DEFECT HAS BEEN DISCOVERED

If a defect is discovered during the warranty period, the client must without delay report the defect to the dealer or to an authorized service partner ([www.swegonhomesolutions.se](http://www.swegonhomesolutions.se)) or register the fault together with their contact information using the response form at the address [www.casahelp.fi](http://www.casahelp.fi). Specify which product has a defect (product model, type designation on the warranty card or on the product identification plate, serial number); describe the type of defect as accurately as possible, and the circumstances under which the defect has arisen. If there is risk that the fault may have consequential impact on the environment, the ventilation unit must be switched off immediately.

A prerequisite for valid warranty liability is that the manufacturer or a representative of the manufacturer is given opportunity to inspect the defects reported in the warranty claim before the repair work begins. A prerequisite for repair under warranty is also that the client, in a satisfactory manner, can prove that the warranty is valid (= written receipt of purchase). After the warranty period has expired, warranty claims, which have not been submitted in writing prior to the expiration date of the warranty period, are not valid.

Swegon ILTO Oy, Asessorinkatu 10, FIN-20780 S:t Karins, [www.swegonhomesolutions.com](http://www.swegonhomesolutions.com)



## DECLARATION OF CONFORMITY

**Manufacturer (and if appropriate their authorised representatives):**

Company: Swegon ILTO Oy  
Address: Asessorinkatu 10, 20780 Kaarina, Finland

**Hereby declare that:**

Product: The Swegon CASA Smart ventilation units  
Type/Model: R3, R5, W3, W4, W5, W9

**Complies with the following directives:**

The Machinery Directive (2006/42/EU)  
The Low Voltage Directive (2014/35/EU)  
The EMC Directive (2014/30/EU)  
The WEEE Directive (2012/19/EU)  
The RoHS Directive (2011/65/EU)

The Ecodesign Directive (2009/125/EU)  
Commission regulation 1253/2014  
Commission regulation 1254/2014

**Following other standards and specifications have been applied:**

EN13141-7 (2010)

**Person authorized to compile the technical documentation:**

Title: Product Group Manager, Lars Norrdal  
Address: Asessorinkatu 10, 20780 Kaarina, Finland

**Signature:**

Place/Date: Kaarina 26.4.2016

Name: 

Printed name: Peter Stenström

Title: CEO  
Swegon ILTO Oy







# Quick Guide

Swegon

